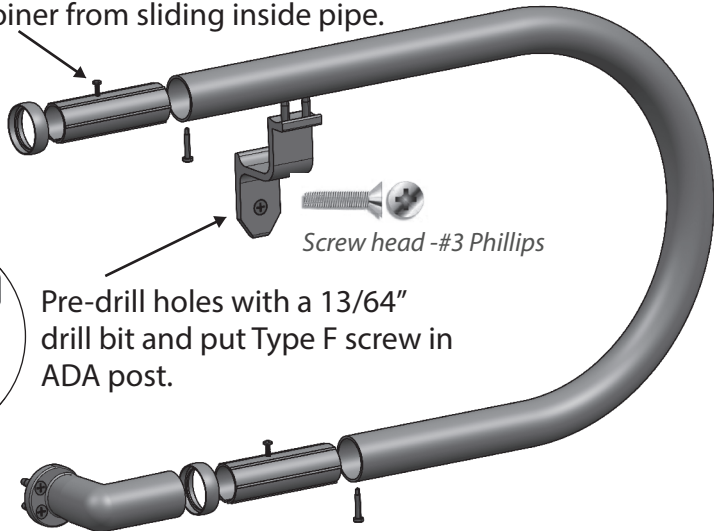


UARA-10493-DLKKIT-

1.5" Secondary Rail D-Loop Kit INSTALLATION



#8 x 1" Phillips Head TEK Screw hold
Joiner from sliding inside pipe.



Screw head -#3 Phillips



Pre-drill holes with a 13/64"
drill bit and put Type F screw in
ADA post.