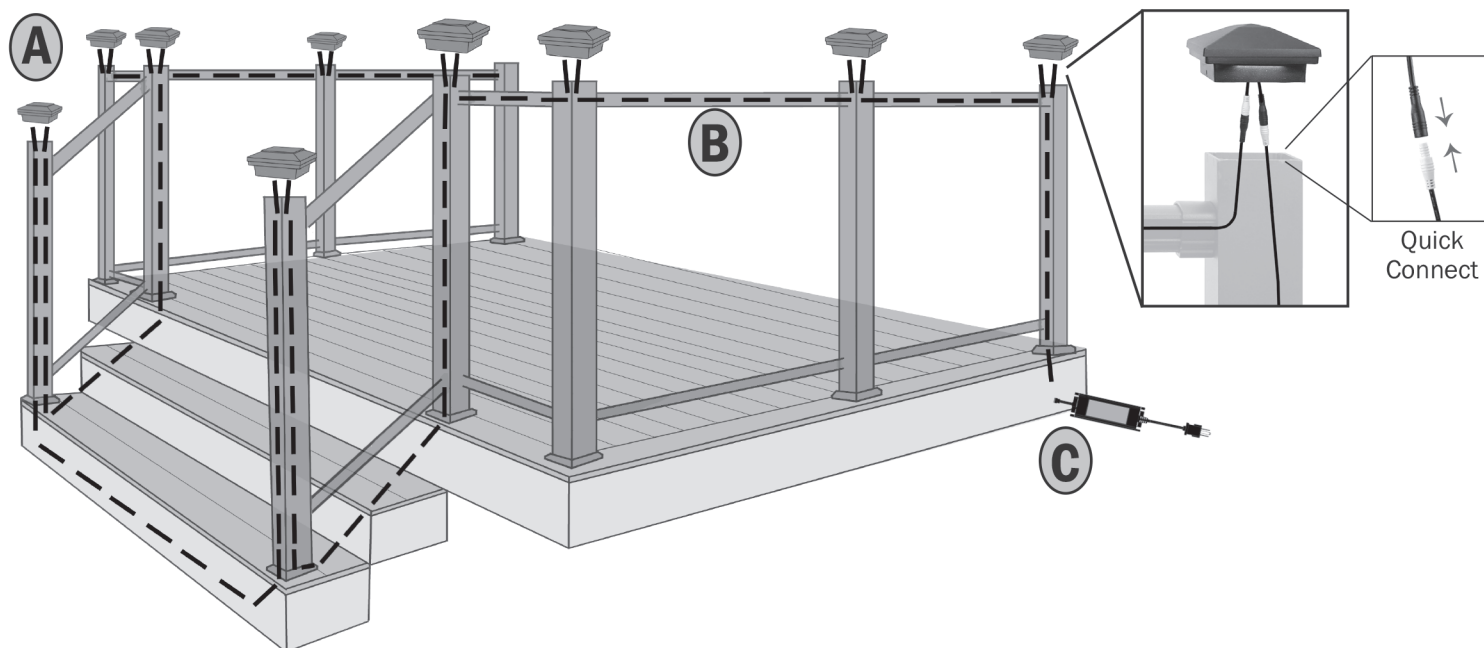


Deck Wiring Overview



Components List:



A. Post Cap



B. 9' Quick Connect Cable



**C. Power Supply
(and accessories)**

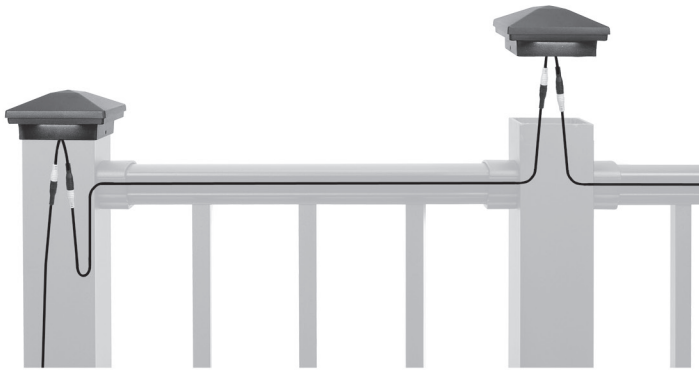
Lighting Overview

See illustration above as reference. Dashed lines are a representation of approximate wire locations, each installation will vary.

- **Run wire from your transformer to the location of your first post.**
Note: Do not plug in transformer until all wires are run.
- **Wiring will go up the post to your first lighting fixture. Drill a minimum 1/2" hole through the deck board to allow passage of the wiring through the board and into the post.**
Tip: Laying post on its side prior to attaching to deck will allow for easier installation of wire. Use a fish tape or equivalent to pull wire to the top of the post. Tape wire to the top of post.
- **Once wire is installed into first post, stand the post upright and secure into place.** (Plumb as necessary)
- **From the first lighting fixture, run a 9' Quick Connect Cable into the post and through the top rail to the next light. Continue this method until all lights are connected. (Brackets and posts need to be drilled to run wire)**
Note: Wiring cannot be run through the top rail of stairs. For stairs, wiring should be run up the posts.
- **Once lights are all connected, plug transformer into GFI protected 115V outlet and check to ensure all lights are illuminated, if any lights have not illuminated unplug transformer and check connections. Once all lights are working properly securely attach caps to the post.**

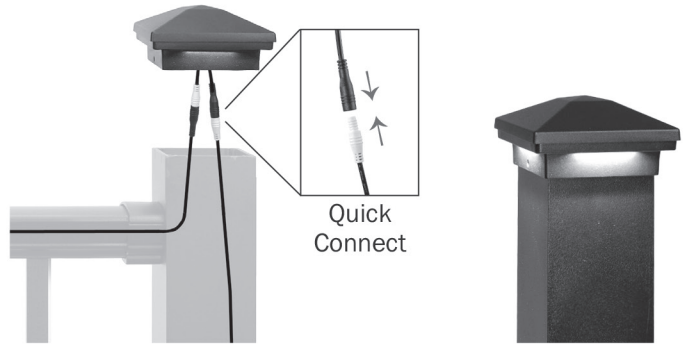
Lighting Components

Wiring



Run cable from the transformer up the first post to the post cap (left) and connect via Quick Connect connections. From there, use a 9' Quick Connect cable to run through the top rail to the next post. Continue this process until all post caps are connected. (Brackets and posts will need to be drilled to accommodate

Post Cap



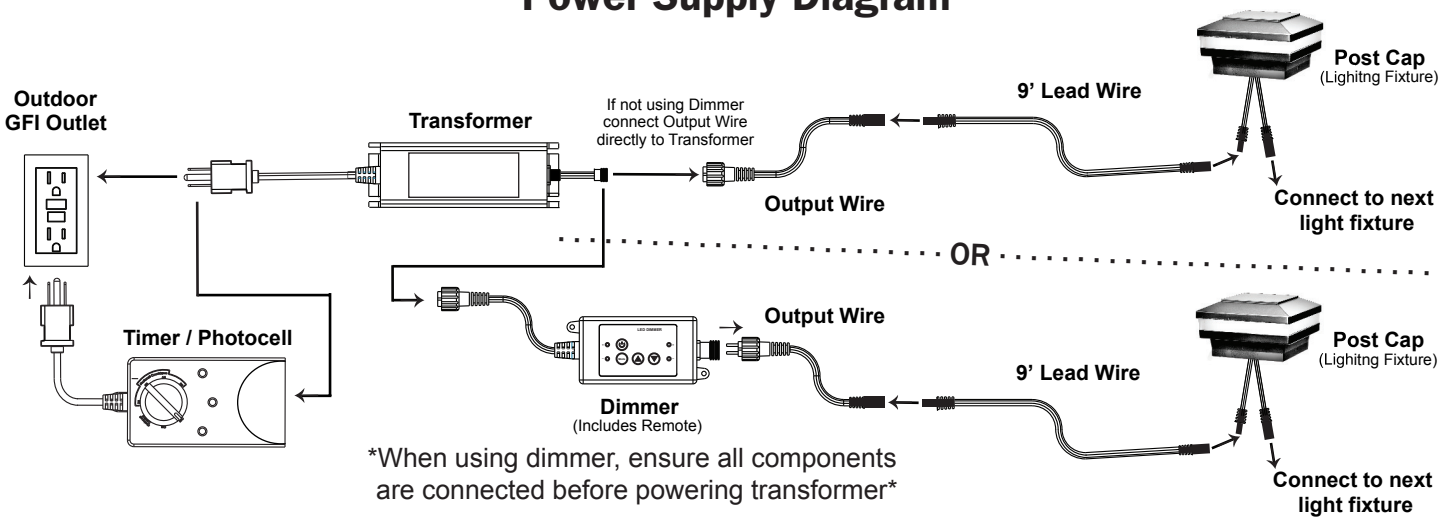
Step 1

Ensure that all cable has been properly installed and test the lights before mounting post cap to post.

Step 2

Fasten post cap to the post using 2 each screws included or use silicone adhesive.

Power Supply Diagram



*NOTE: 2.5" Cap Lighting Down Light Kit draws 3.8 watts per fixture.
2.5" Cap Lighting Band Light Kit draws 1.8 watts per fixture.
Total light wattage should not exceed 80% of transformer watts.*

This guide represents the most common installation method for Firefly lighting. More information can be found at our website www.UltraRailing.com in regards to alternative wiring methods.

For full warranty coverage details visit www.UltraRailing.com