

## It's Sleek, Beautiful and Low Maintenance.

Plus with Tempered Glass, it Meets Code Requirements.

Add style and protection without blocking out a beautiful view. The outer rail provides a secure hand grip, and completely covers all stainless-steel fasteners for a sleek, hidden-fastened look, in Post-To-Post or Continuous Railing.

- **Super Low-Maintenance Aluminum**
- **Never Needs Painting**
- **Won't Rust, Rot, Crack or Peel**
- **Lifetime Limited Warranty**

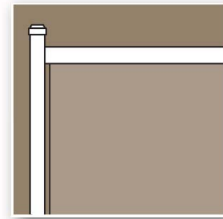


Glass  
Panels  
Sourced  
Locally

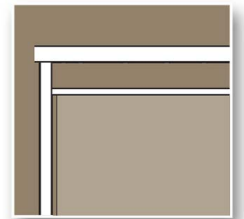


Standard Ultra Aluminum Colors							Premium Colors*		
BL	TB	BR	TZ	TK	WH	TW	GR	SI	BE
Gloss Black	Textured Black	Gloss Bronze	Textured Bronze	Textured Khaki	Gloss White	Textured White	Gloss Green	Silver (RAL 9006)	Gloss Beige

Colors shown represent an approximate comparison and may vary slightly from actual product color.  
\* Premium Colors are available at an extra charge and may require additional lead times.  
Ask your Ultra Representative for details.

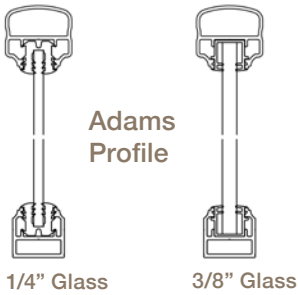


UAG-200-2R Glass Railing



UAGC-270 3R Glass Railing

**Post-To-Post Profile**

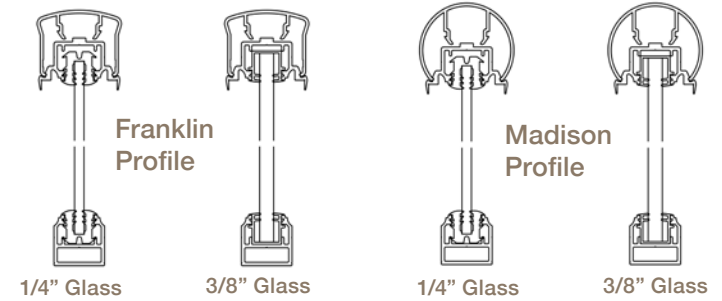


Adams  
Profile

1/4" Glass

3/8" Glass

**Continuous Railing Profiles**



Franklin  
Profile

1/4" Glass

3/8" Glass

Madison  
Profile

1/4" Glass

3/8" Glass

**Environmentally Responsible**



Ultra Aluminum™ is proud to use recycled aluminum in our products, and our Powercoat™ coating process is environmentally friendly and virtually pollution-free.

Visit our website for more information and a copy of the warranty.

**Ultra Lifetime Warranty**



Ultra Aluminum™ railing products are warranted for life against defects in workmanship and/or materials. The Ultra Powercoat™ finish is guaranteed for life against cracking, peeling or chipping.

**Gloss or Textured Finishes**



Our advanced Powercoat™ finish meets AAMA 2604 allowing us to produce a high-quality, long-lasting finish.

**Ultra Aluminum Alloy**



All Ultra Aluminum™ railing components are extruded from Ultrum™ 6005-T5 alloy, with a minimum ultimate strength of 35,000 psi.



ULTRARAILING.COM  
800-656-4420

