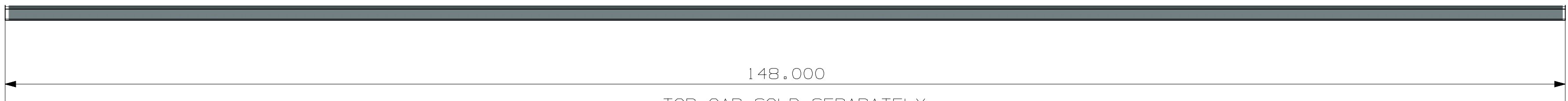
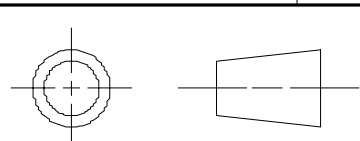
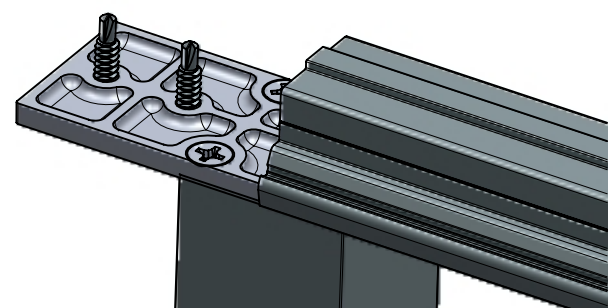
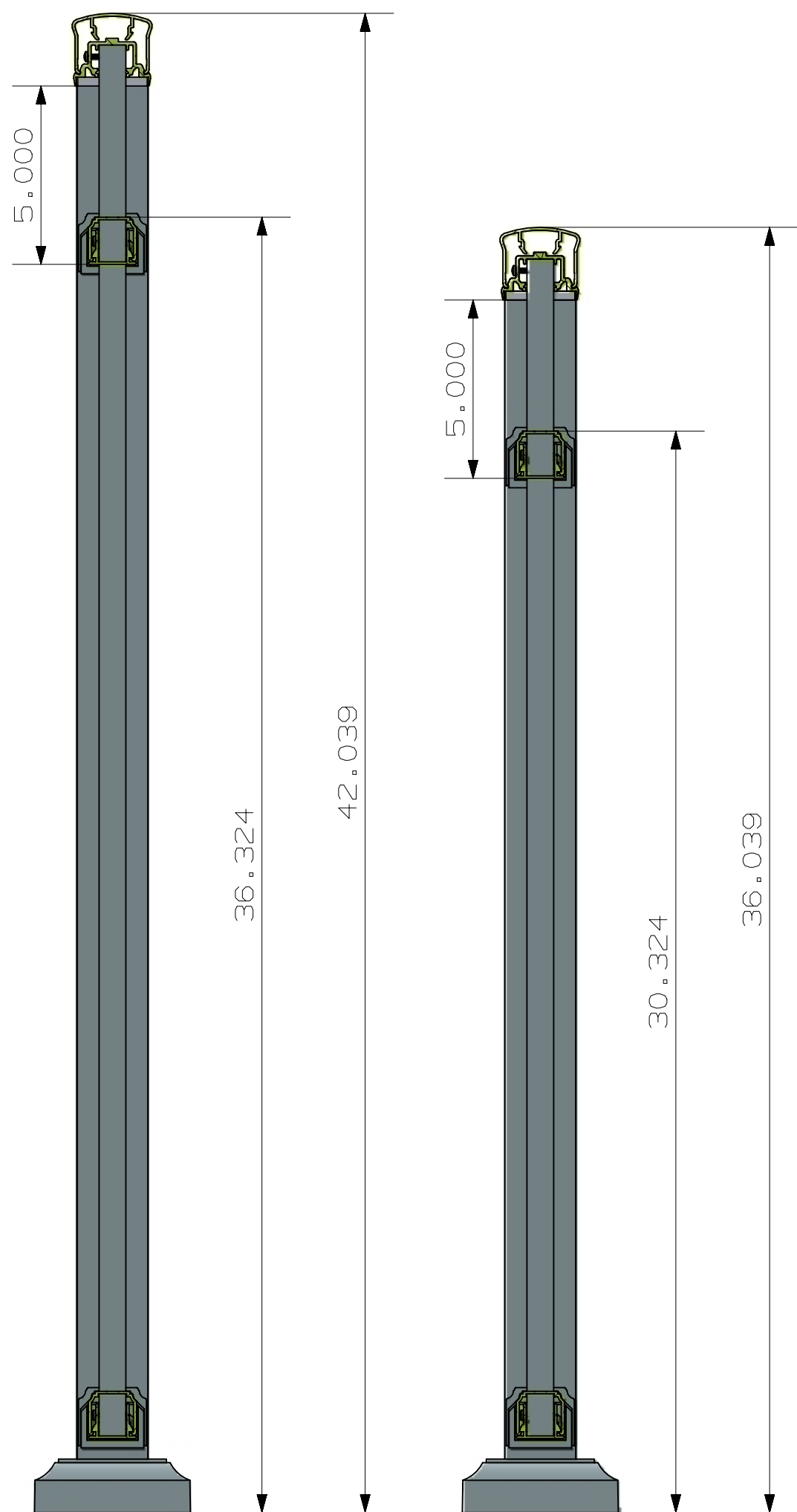


3D CAD MASTER PART NAME:

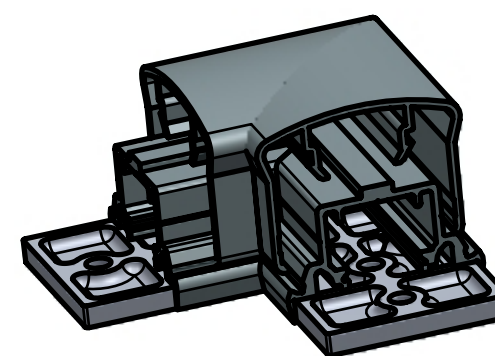
		ULTRA ALUMINUM MANUFACTURING, INC. 2124 GRAND COMMERCE DR. HOWELL, MI 48855 PHONE (800) 656-4420	
FIRST ISSUED		TITLE CONTINUOUS RAILING	
DRAWN BY		FRANKLIN TOP CAP	
CHECKED BY		UARC-270-3R	
APPROVED BY		PRELIMINARY 2-23-2018	
		SIZE DRG NO.	REV
		UARC-220-3R FRANKLIN CONT RAIL PRELIMINARY	1
		SCALE 1:1	SHEET 1 OF 2



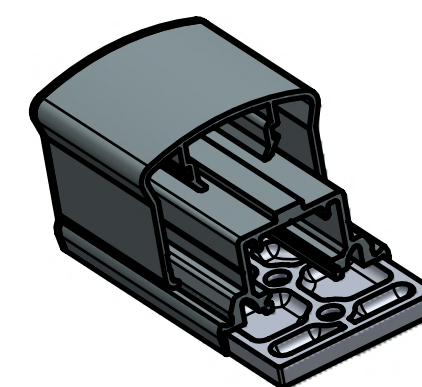
TOP CAP SOLD SEPARATELY
SOLD IN 12' 4" AND 24' 8" LENGTHS



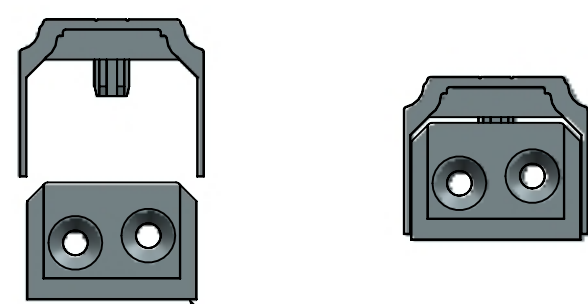
CONTINUOUS LINE PLATE



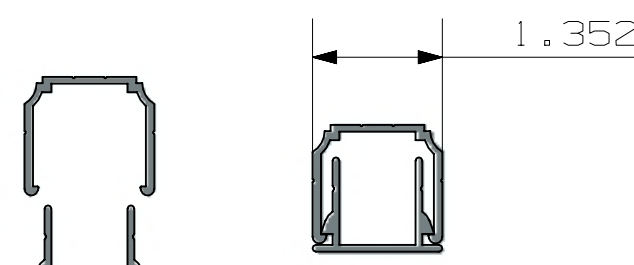
CONTINUOUS 90° PLATE
CONTINUOUS 90° CAP



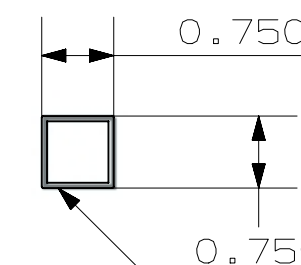
CONTINUOUS END PLATE
CONTINUOUS ENDCAP



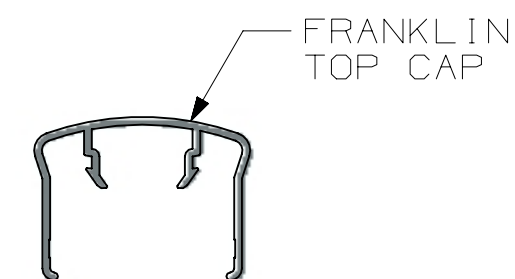
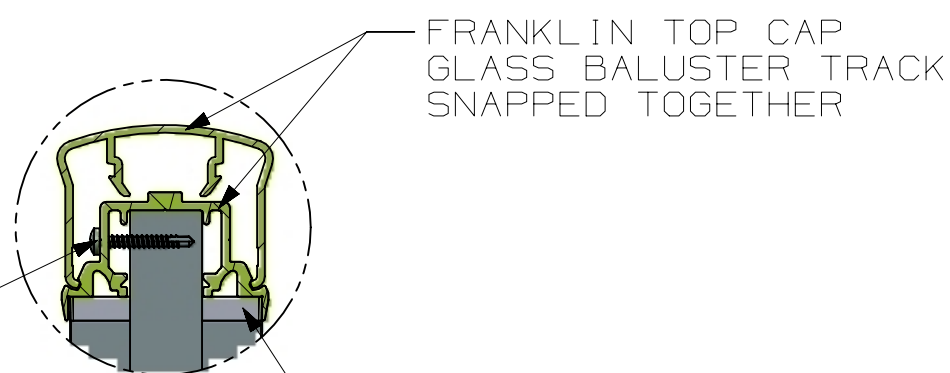
STD 2PC RAIL BRACKET



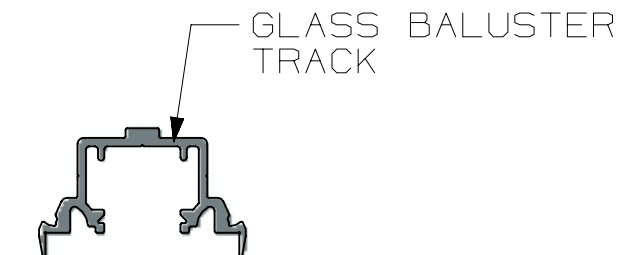
2 PC BOTTOM/MID RAIL



BALUSTER
.055" WALL



FRANKLIN
TOP CAP



GLASS BALUSTER
TRACK

PANEL SIZE	TOP RAIL LENGTH	BOTTOM RAIL LENGTH	FULL SIZE PICKET LENGTH	NUMBER OF FULL SIZE PICKETS	SHORT PICKET LENGTH	NUMBER OF SHORT SIZE PICKETS
36" X 4'	50 3/16"	47 11/16"	33"	5	27 7/8"	5
36" X 5'	63 9/16"	61 1/16"	33"	6	27 7/8"	7
36" X 6'	72 1/2"	70"	33"	7	27 7/8"	8
42" X 4'	50 3/16"	47 11/16"	39"	5	33 7/8"	5
42" X 5'	63 9/16"	61 1/16"	39"	6	33 7/8"	7
42" X 6'	72 1/2"	70"	39"	7	33 7/8"	8



ULTRA ALUMINUM MANUFACTURING, INC.
2124 GRAND COMMERCE DR. HOWELL, MI 48855
PHONE (800) 656-4420

FIRST ISSUED

DRAWN BY

CHECKED BY

APPROVED BY

TITLE CONTINUOUS RAILING
FRANKLIN TOP CAP
UARC-220-3R
PRELIMINARY 2-23-2018

SIZE DRG NO. UARC-220-3R FRANKLIN CONT RAIL PRELIMINARY

SCALE 1:1

SHEET 2 OF 2