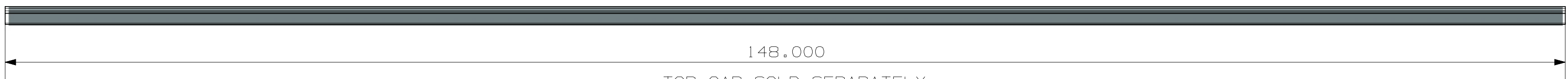
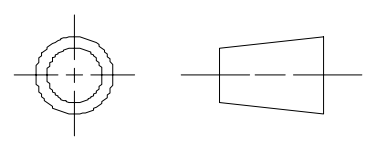
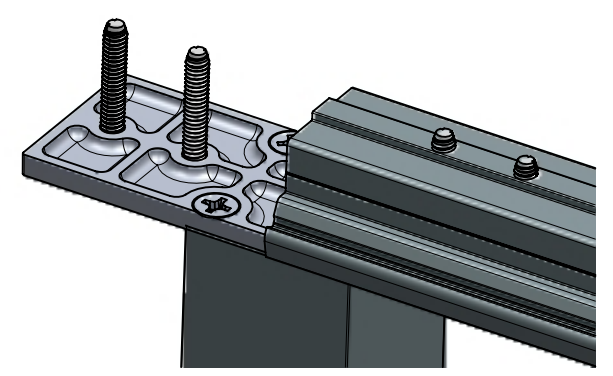
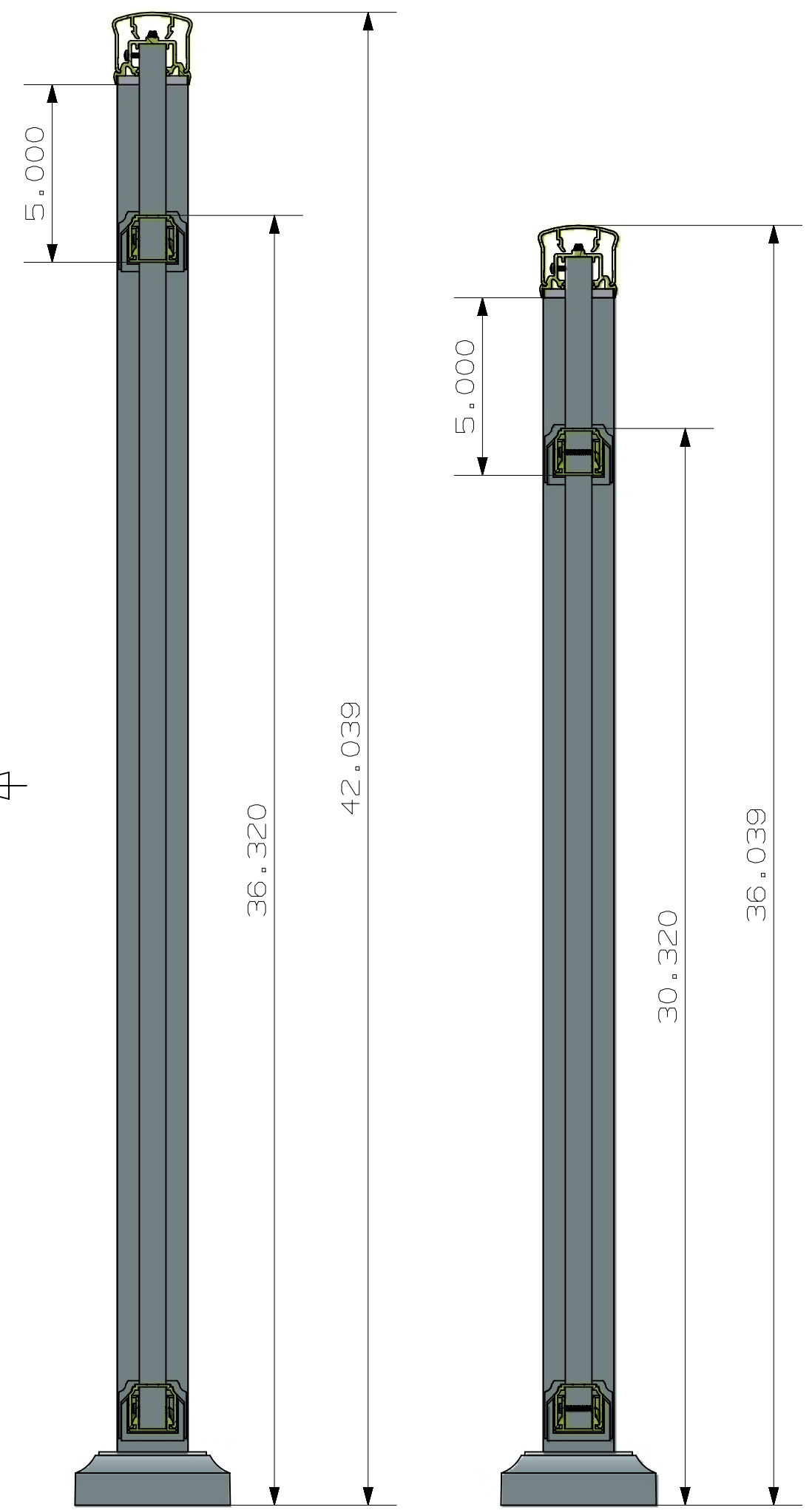


3D CAD MASTER PART NAME:

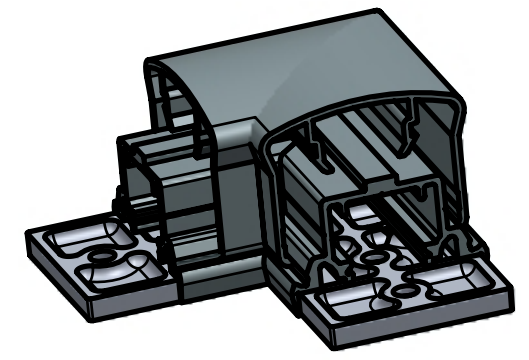
		ULTRA ALUMINUM MANUFACTURING, INC. 2124 GRAND COMMERCE DR. HOWELL, MI 48855 PHONE (800) 656-4420	
FIRST ISSUED		TITLE CONTINUOUS RAILING	
DRAWN BY		FRANKLIN TOP CAP	
CHECKED BY		UARC-200-3R	
APPROVED BY		PRELIMINARY 2-23-2018	
		SIZE DRG NO.	REV
		C UARC-200-3R FRANKLIN CONT RAIL	<input checked="" type="checkbox"/>
		SCALE 1:1	SHEET 1 OF 2



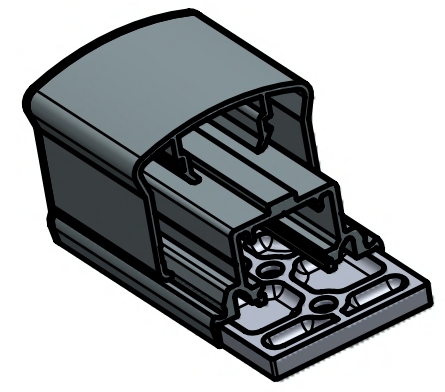
TOP CAP SOLD SEPARATELY  
SOLD IN 12' 4" AND 24' 8" LENGTHS



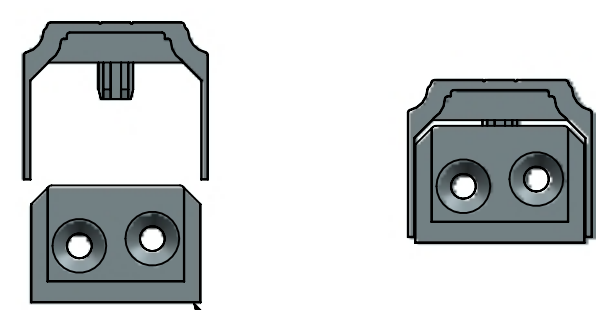
CONTINUOUS LINE PLATE



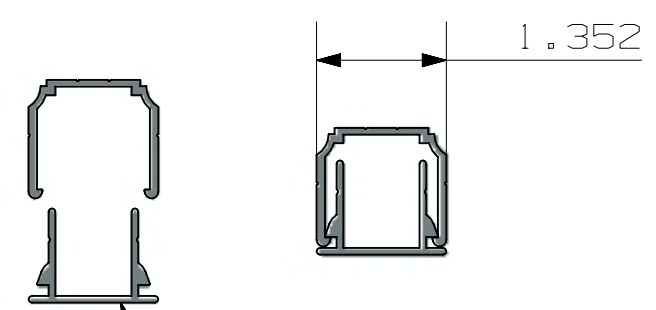
CONTINUOUS 90° PLATE  
CONTINUOUS 90° CAP



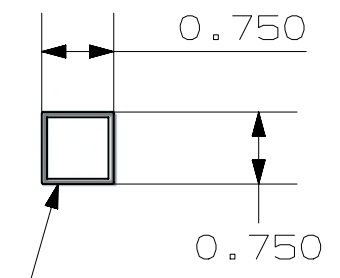
CONTINUOUS END PLATE  
CONTINUOUS ENDCAP



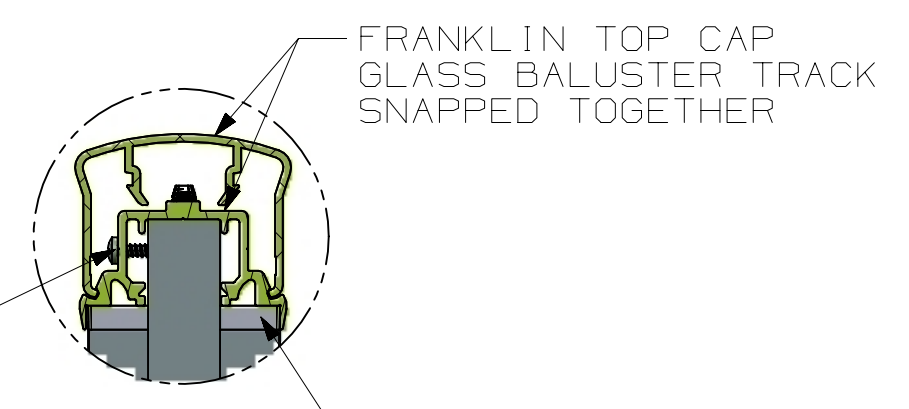
STD 2PC RAIL BRACKET



2 PC BOTTOM/MID RAIL



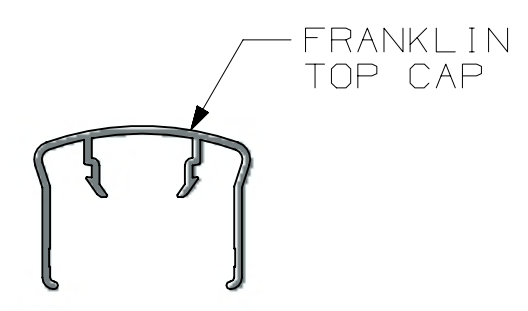
COMMERCIAL PICKET  
.055" WALL



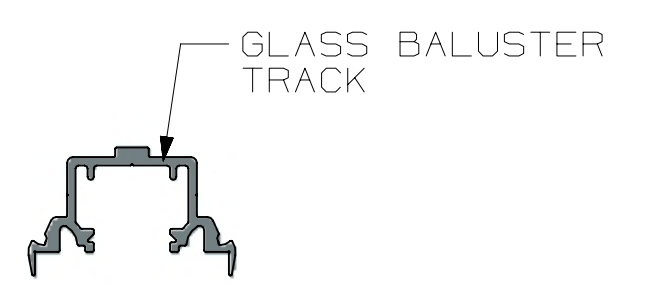
FRANKLIN TOP CAP  
GLASS BALUSTER TRACK  
SNAPPED TOGETHER

HIDDEN  
SCREWS

CONNECTION PLATES



FRANKLIN  
TOP CAP



GLASS BALUSTER  
TRACK

PANEL SIZE	TOP RAIL LENGTH	BOTTOM RAIL LENGTH	PICKET LENGTH	NUMBER OF PICKETS
36" X 4'	50 3/16"	47 11/16"	33"	10
36" X 5'	63 9/16"	61 1/16"	33"	13
36" X 6'	72 1/2"	70"	33"	15
42" X 4'	50 3/16"	47 11/16"	39"	10
42" X 5'	63 9/16"	61 1/16"	39"	13
42" X 6'	72 1/2"	70"	39"	15



ULTRA ALUMINUM MANUFACTURING, INC.  
2124 GRAND COMMERCE DR. HOWELL, MI 48855  
PHONE (800) 656-4420

FIRST ISSUED	
DRAWN BY	
CHECKED BY	
APPROVED BY	

TITLE	CONTINUOUS RAILING FRANKLIN TOP CAP UARC-200-3R PRELIMINARY 2-23-2018	
SIZE/DRG NO.	C	UARC-200-3R FRANKLIN CONT RAIL
SCALE	1:1	SHEET 2 OF 2