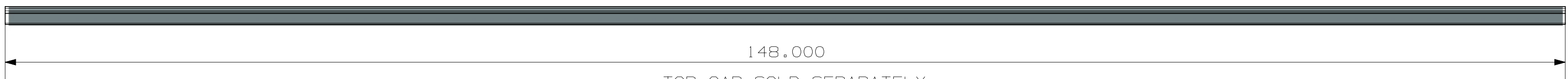
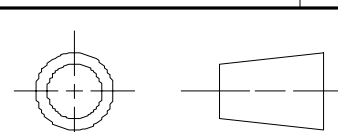
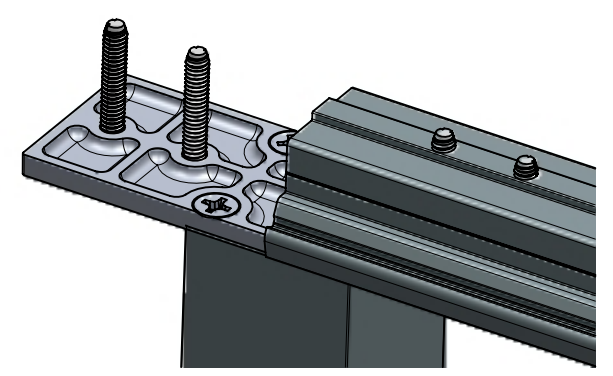
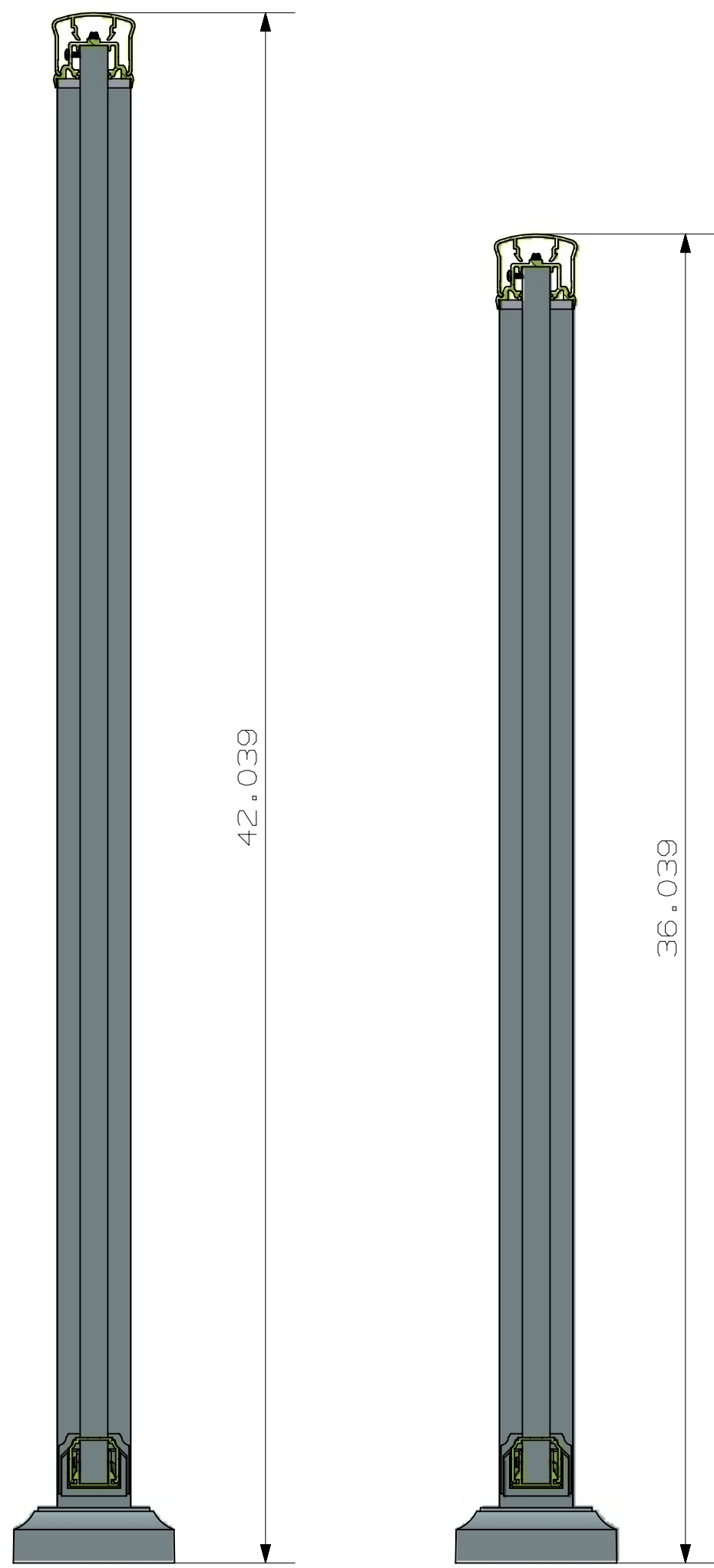


3D CAD MASTER PART NAME:

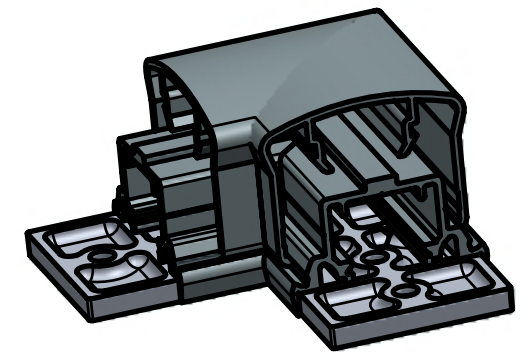
		ULTRA ALUMINUM MANUFACTURING, INC. 2124 GRAND COMMERCE DR. HOWELL, MI 48855 PHONE (800) 656-4420	
FIRST ISSUED		TITLE CONTINUOUS RAILING	
DRAWN BY		FRANKLIN TOP CAP	
CHECKED BY		UARC-200-2R	
APPROVED BY		PRELIMINARY 2-23-2018	
		SIZE DRG NO.	REV
		C UARC-200-2R FRANKLIN CONT RAIL	<input checked="" type="checkbox"/>
		SCALE 1:1	SHEET 1 OF 2



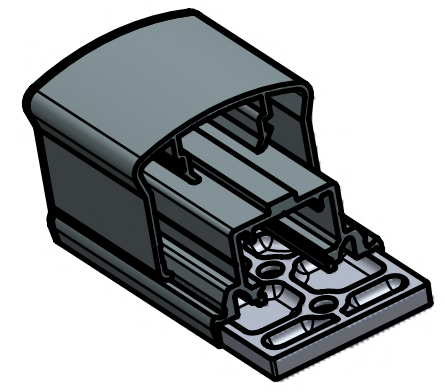
TOP CAP SOLD SEPARATELY
SOLD IN 12' 4" AND 24' 8" LENGTHS



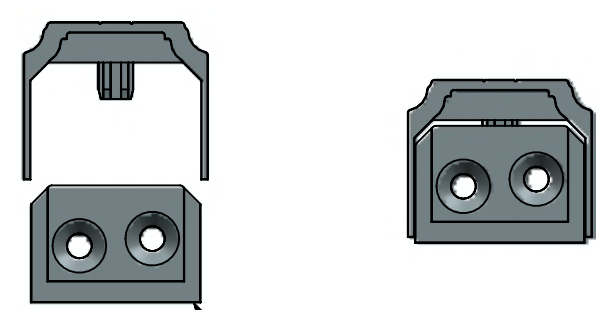
CONTINUOUS LINE PLATE



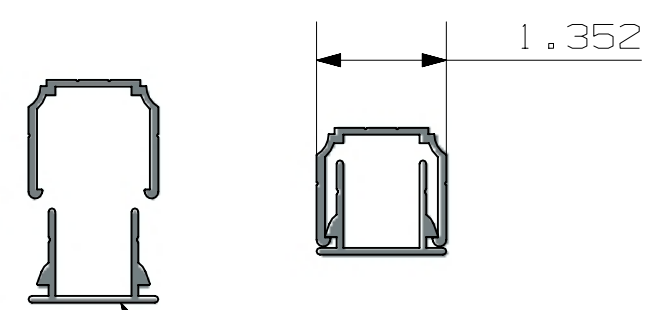
CONTINUOUS 90° PLATE
CONTINUOUS 90° CAP



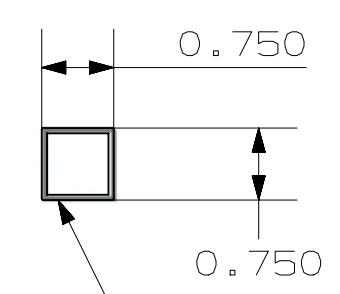
CONTINUOUS END PLATE
CONTINUOUS ENDCAP



STD 2PC RAIL BRACKET



2 PC PREMIUM RAIL



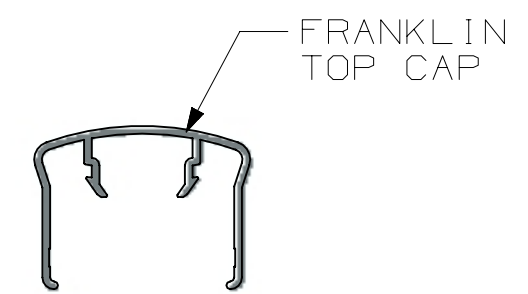
BALUSTER
.055" WALL



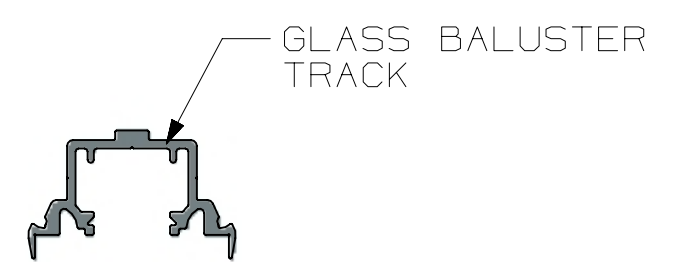
HIDDEN SCREWS

FRANKLIN TOP CAP
GLASS BALUSTER TRACK
SNAPPED TOGETHER

CONNECTION PLATES



FRANKLIN TOP CAP



GLASS BALUSTER TRACK

PANEL SIZE	TOP RAIL LENGTH	BOTTOM RAIL LENGTH	PICKET LENGTH	NUMBER OF PICKETS
36" X 4'	50 3/16"	47 11/16"	33"	10
36" X 5'	63 9/16"	61 1/16"	33"	13
36" X 6'	72 1/2"	70"	33"	15
42" X 4'	50 3/16"	47 11/16"	39"	10
42" X 5'	63 9/16"	61 1/16"	39"	13
42" X 6'	72 1/2"	70"	39"	15



ULTRA ALUMINUM MANUFACTURING, INC.
2124 GRAND COMMERCE DR. HOWELL, MI 48855
PHONE (800) 656-4420

FIRST ISSUED	
DRAWN BY	
CHECKED BY	
APPROVED BY	

TITLE	CONTINUOUS RAILING FRANKLIN TOP CAP UARC-200-2R PRELIMINARY 2-23-2018	
SIZE/DRG NO.	C	UARC-200-2R FRANKLIN CONT RAIL
SCALE	1:1	SHEET 2 OF 2