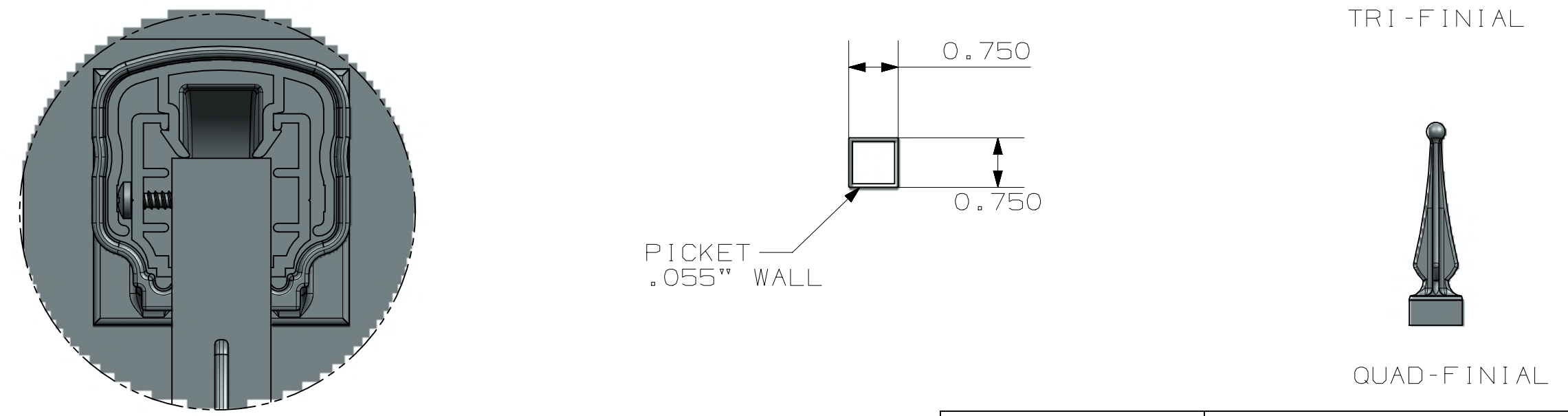
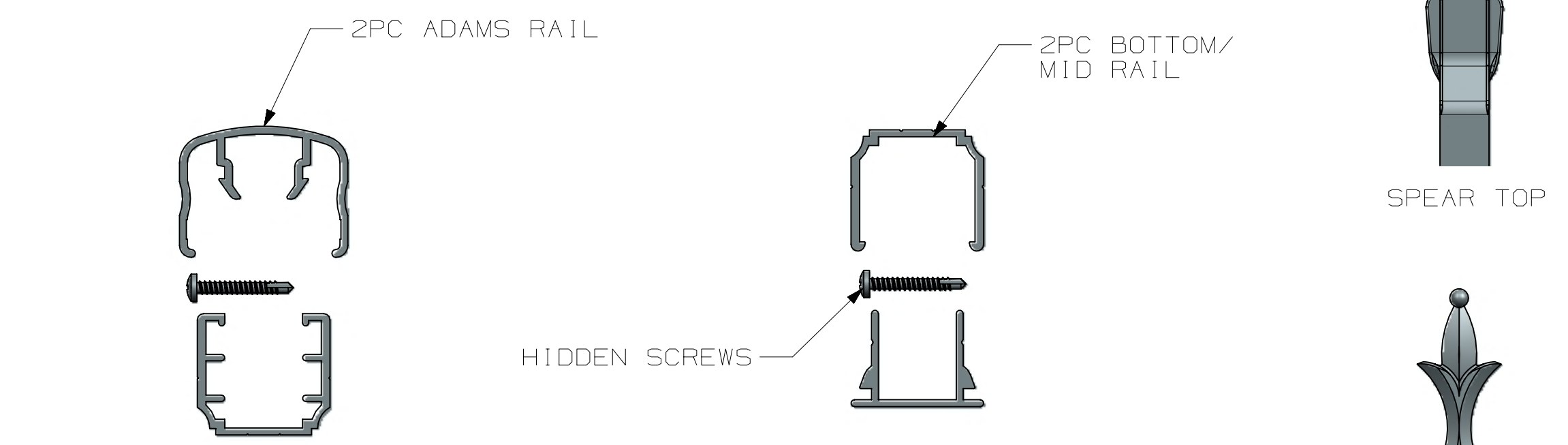
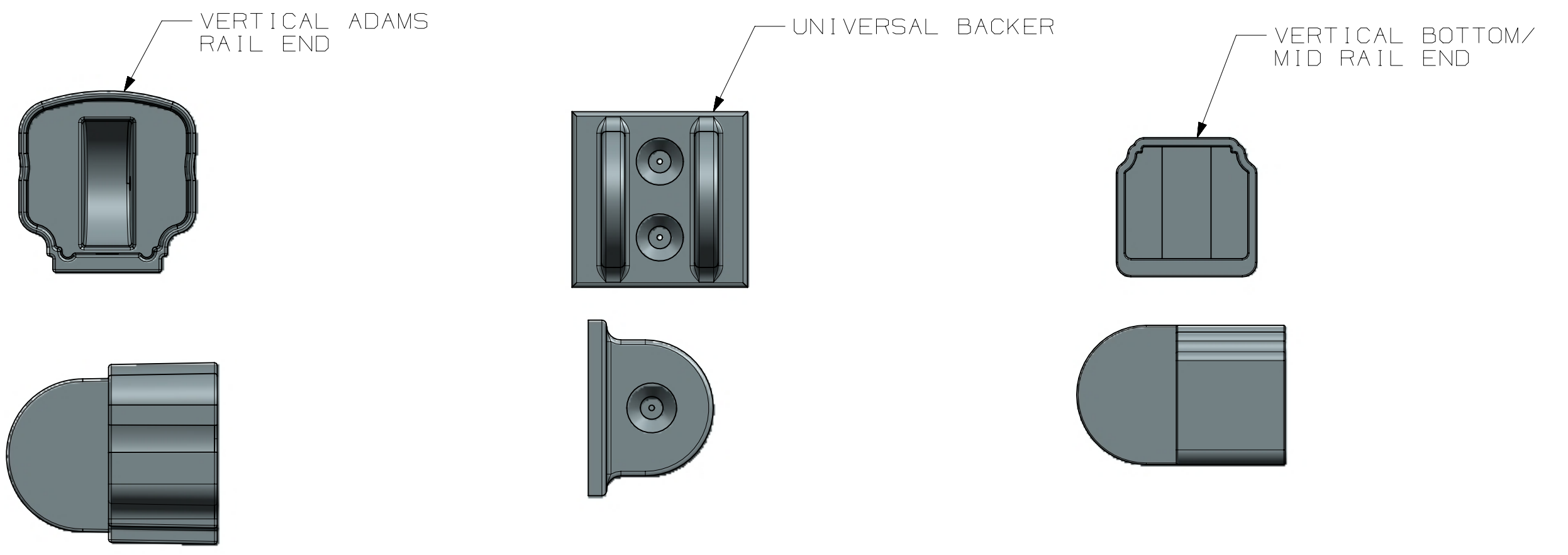
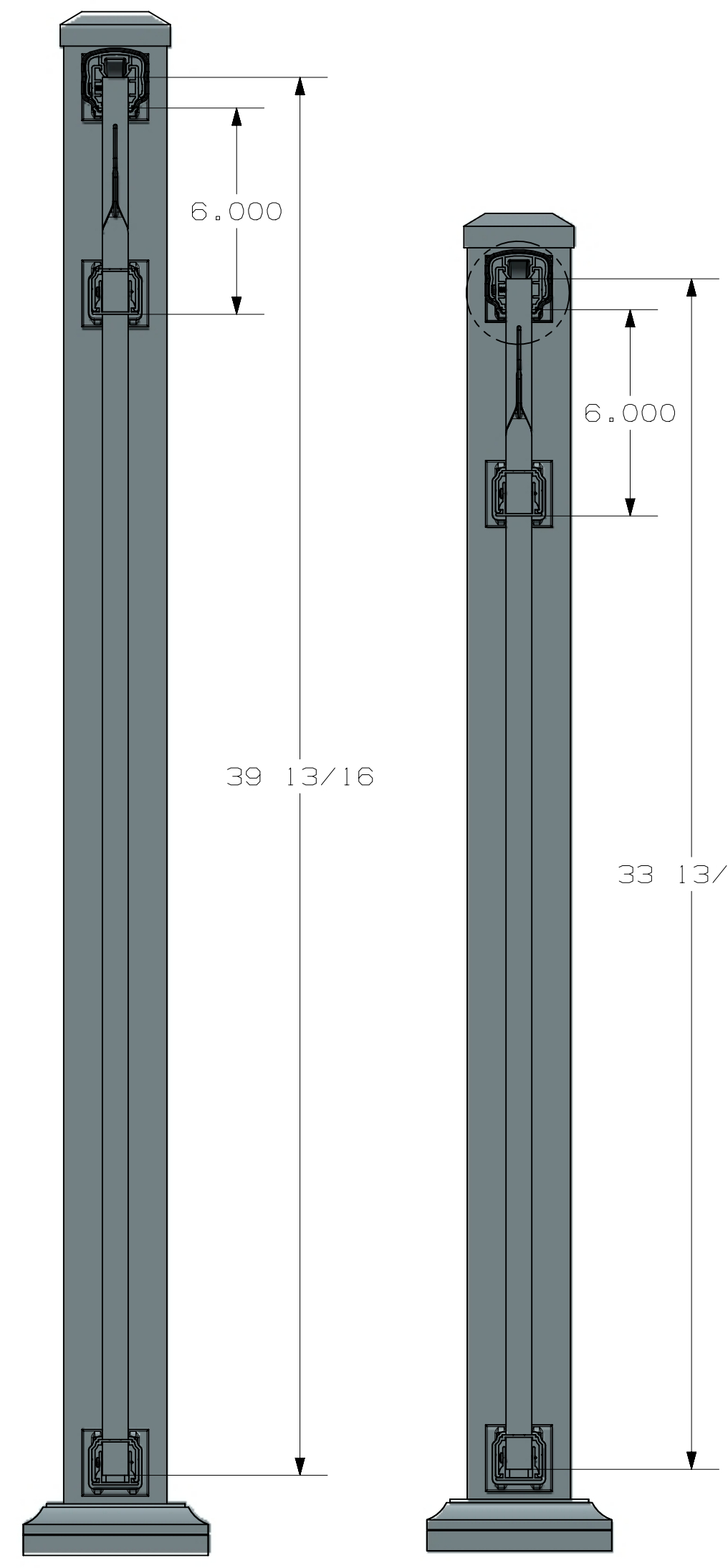
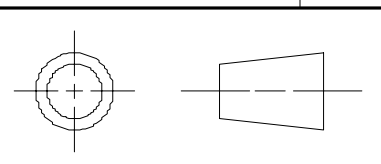


3D CAD MASTER PART NAME:

		ULTRA ALUMINUM MANUFACTURING, INC. 2124 GRAND COMMERCE DR. HOWELL, MI 48855 PHONE (800) 656-4420	
FIRST ISSUED		TITLE	
DRAWN BY		SIGNATURE STAIR RAILING	
CHECKED BY		ADAMS TOP RAIL	
APPROVED BY		UARXS - A250XX - XXXX - 3RSS	
		REV 1 1/22/2018	
		SIZE DRG NO.	REV
		C UARXS - A250XX - XXXX - 3RSS	<input checked="" type="checkbox"/>
		SCALE 1:1	SHEET 1 OF 2



PANEL SIZE	RAIL LENGTH	FULL SIZE PICKET HEIGHT	NUMBER OF FULL SIZE PICKETS	NUMBER OF DECORATIVE PICKETS	SPEAR TOP PICKET LENGTH	TRI/QUAD PICKET LENGTH
36" X 6"	70.00"	33 13/16"	7	8	32 7/16"	28 11/16"
36" X 8"	96 3/4"	33 13/16"	10	11	32 7/16"	28 11/16"
42" X 6"	70"	39 13/16"	7	8	38 7/16"	34 11/16"
42" X 8"	96 3/4"	39 13/16"	10	11	38 7/16"	34 11/16"

3D CAD MASTER PART NAME:

		ULTRA ALUMINUM MANUFACTURING, INC. 2124 GRAND COMMERCE DR. HOWELL, MI 48855 PHONE (800) 656-4420	
FIRST ISSUED		TITLE	
DRAWN BY		SIGNATURE STAIR RAILING	
CHECKED BY		ADAMS TOP RAIL	
APPROVED BY		UARXS-A250XX-XXXX-3RSS	
		REV 1 1/22/2018	
		SIZE/DRG NO.	REV
		C UARXS-A250XX-XXXX-3RSS	
		SCALE 1:1	SHEET 2 OF 2