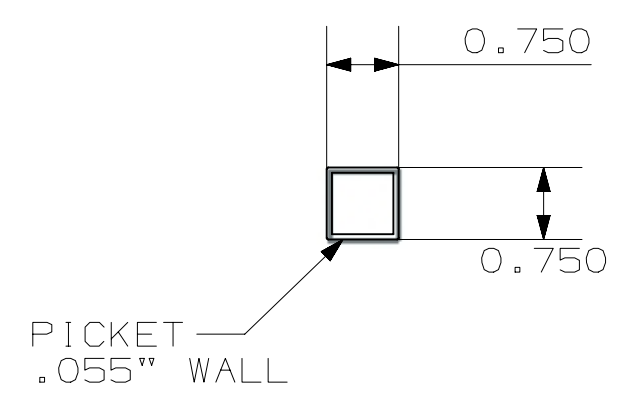
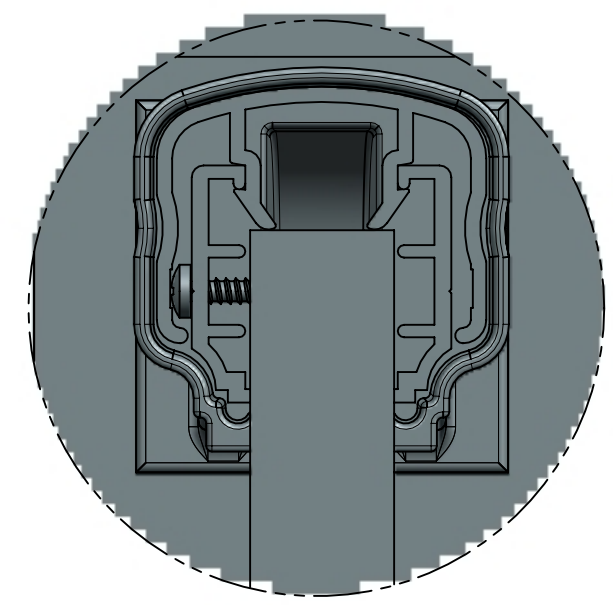
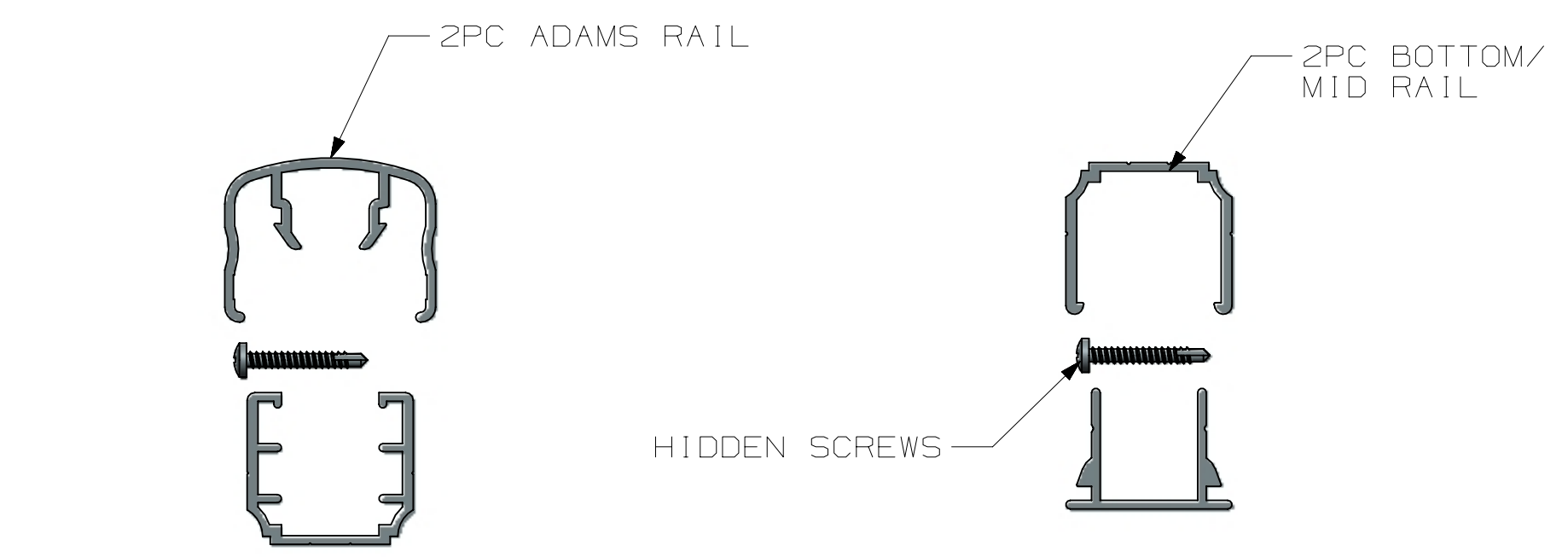
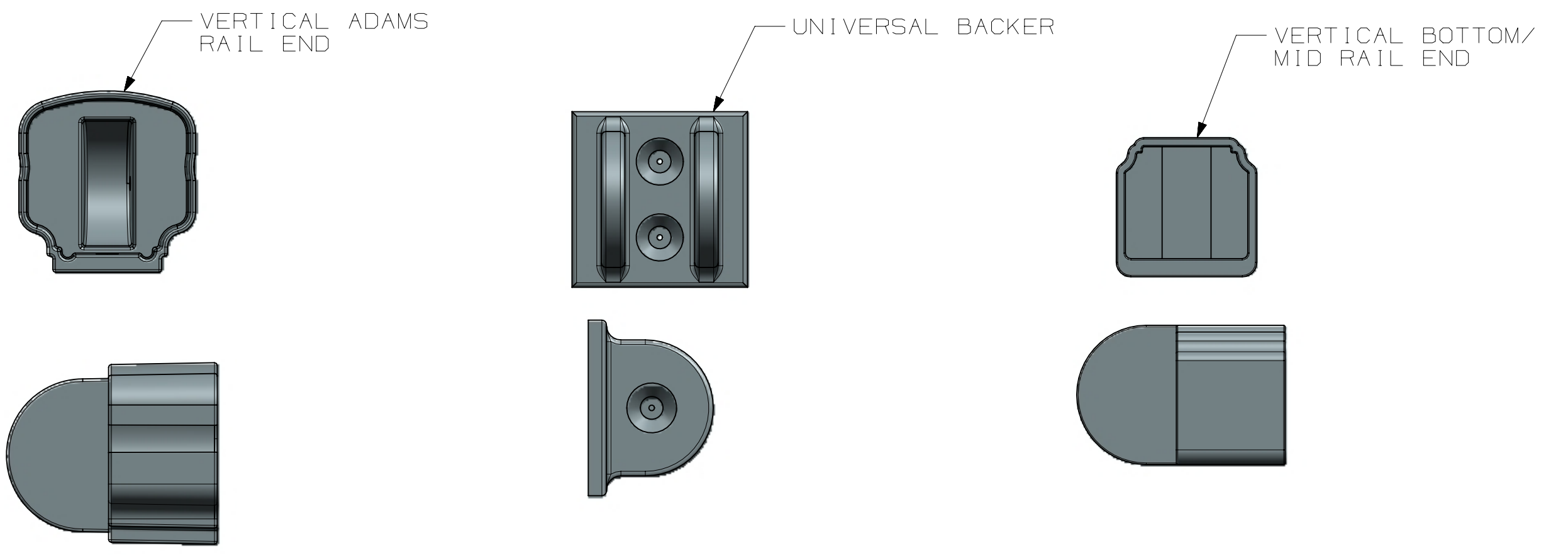
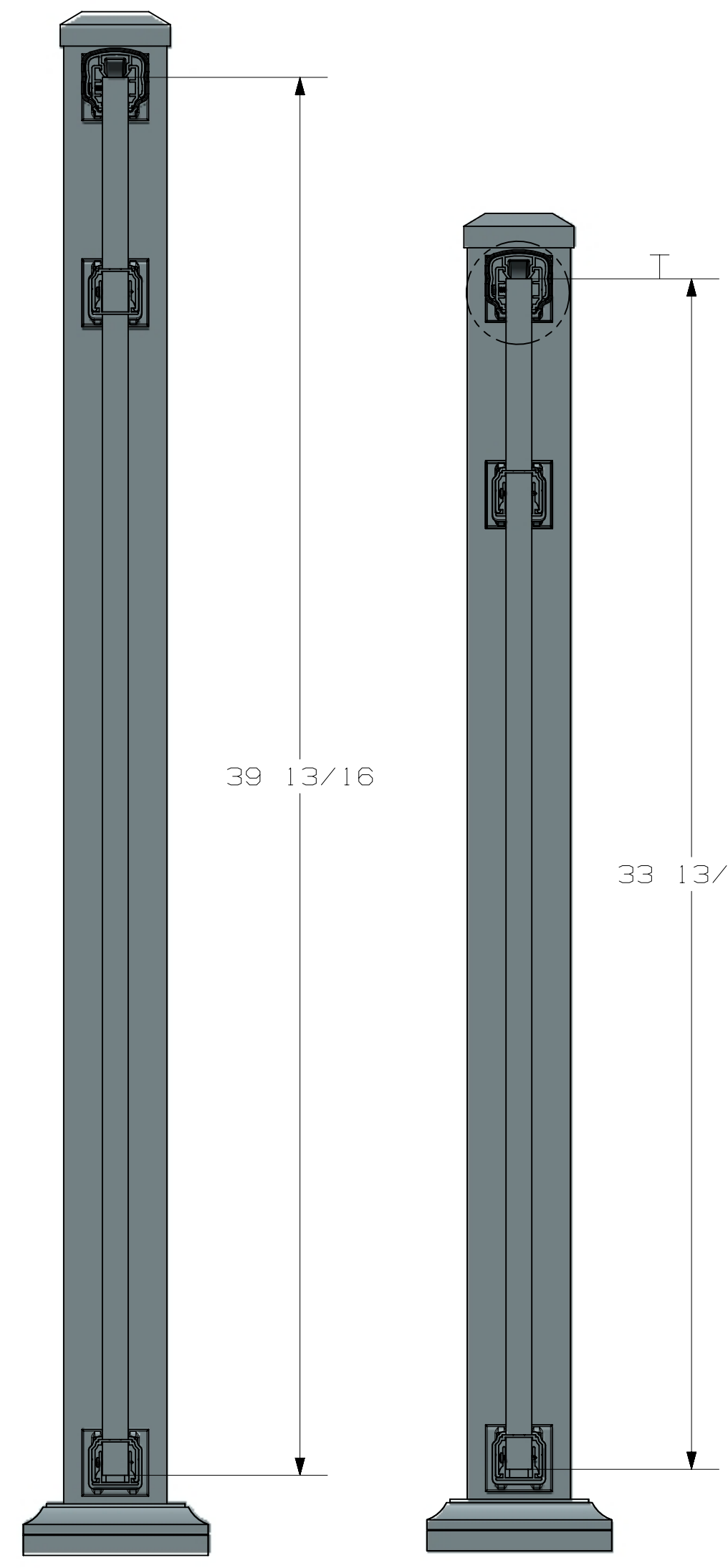
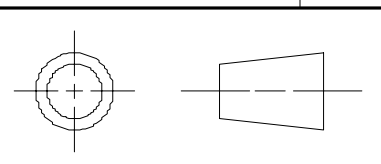


3D CAD MASTER PART NAME:

		ULTRA ALUMINUM MANUFACTURING, INC. 2124 GRAND COMMERCE DR. HOWELL, MI 48855 PHONE (800) 656-4420	
FIRST ISSUED		TITLE SIGNATURE STAIR RAILING	
DRAWN BY		ADAMS TOP RAIL	
CHECKED BY		UARXS - A200XX - XXXX - 3RSS	
APPROVED BY		REV 1 1/22/2018	
		SIZE DRG NO. C UARXS - A200XX - XXXX - 3RSS	REV <input checked="" type="checkbox"/>
		SCALE 1:1	SHEET 1 OF 2



PANEL SIZE	RAIL LENGTH	FULL SIZE PICKET HEIGHT	NUMBER OF FULL SIZE PICKETS
36" X 6"	70.00"	33 13/16"	15
36" X 8"	96 3/4"	33 13/16"	21
42" X 6"	70"	39 13/16"	15
42" X 8"	96 3/4"	39 13/16"	21

3D CAD MASTER PART NAME:

		ULTRA ALUMINUM MANUFACTURING, INC. 2124 GRAND COMMERCE DR. HOWELL, MI 48855 PHONE (800) 656-4420	
FIRST ISSUED		TITLE SIGNATURE STAIR RAILING	
DRAWN BY		ADAMS TOP RAIL	
CHECKED BY		UARXS-A200XX-XXXX-3RSS	
APPROVED BY		REV 1 1/22/2018	
		SIZE DRG NO.	REV
		C UARXS-A200XX-XXXX-3RSS	
		SCALE 1:1	SHEET 2 OF 2