

3D CAD MASTER PART NAME:

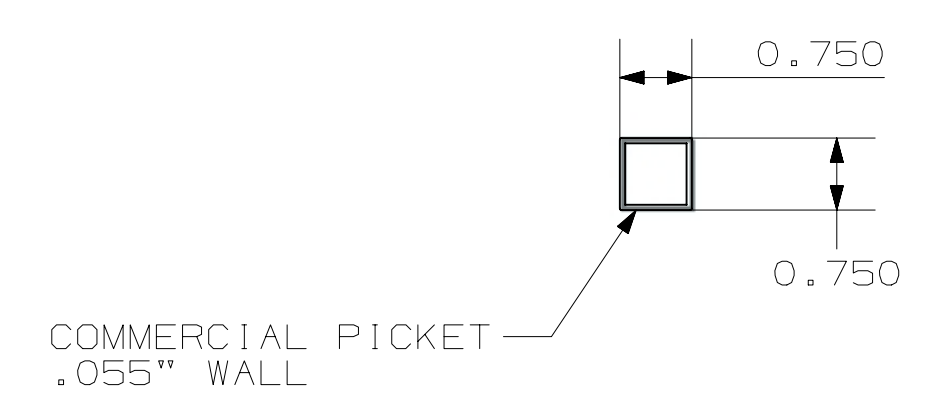
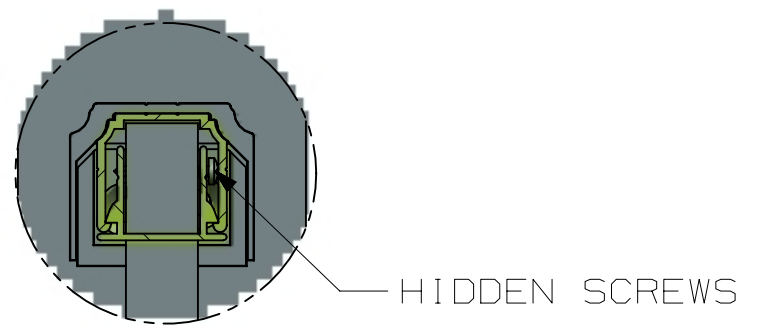
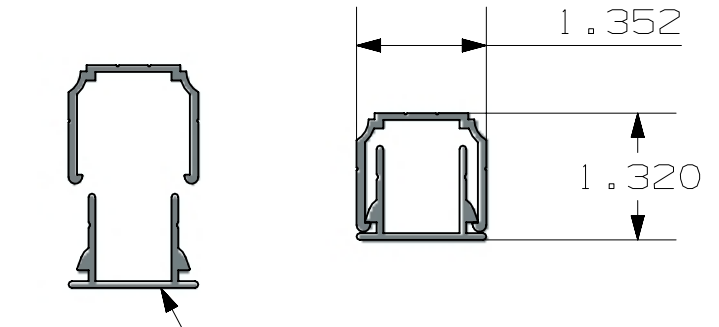
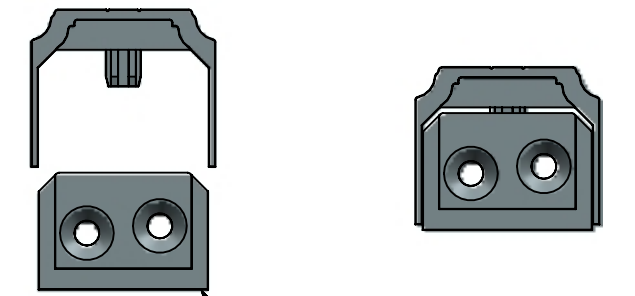
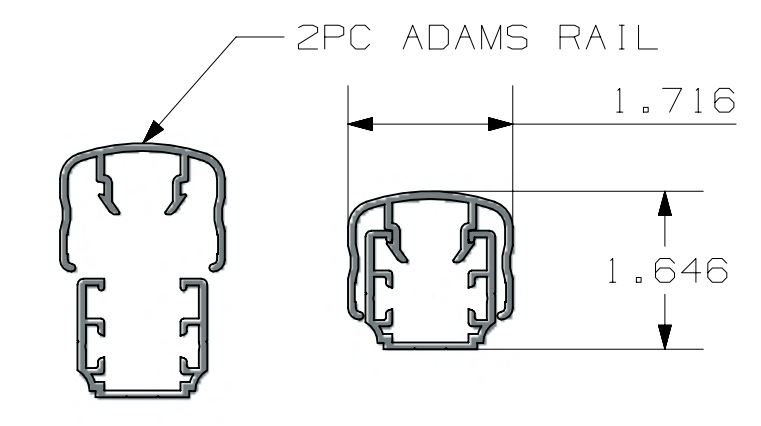
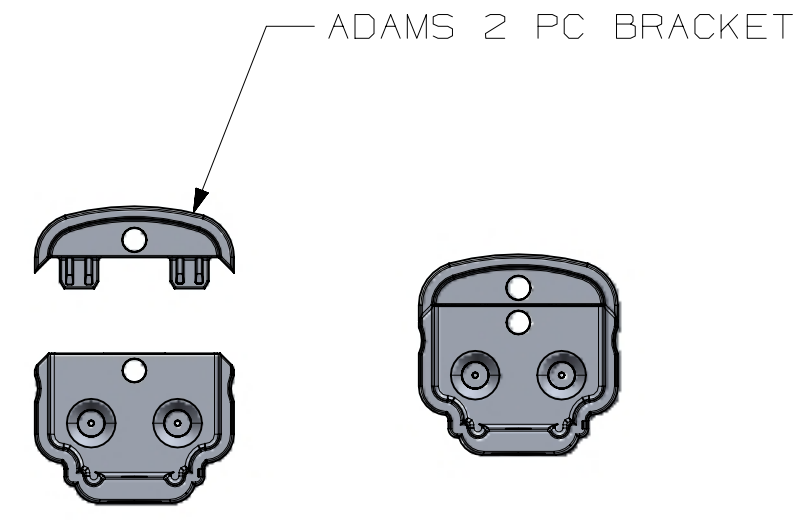
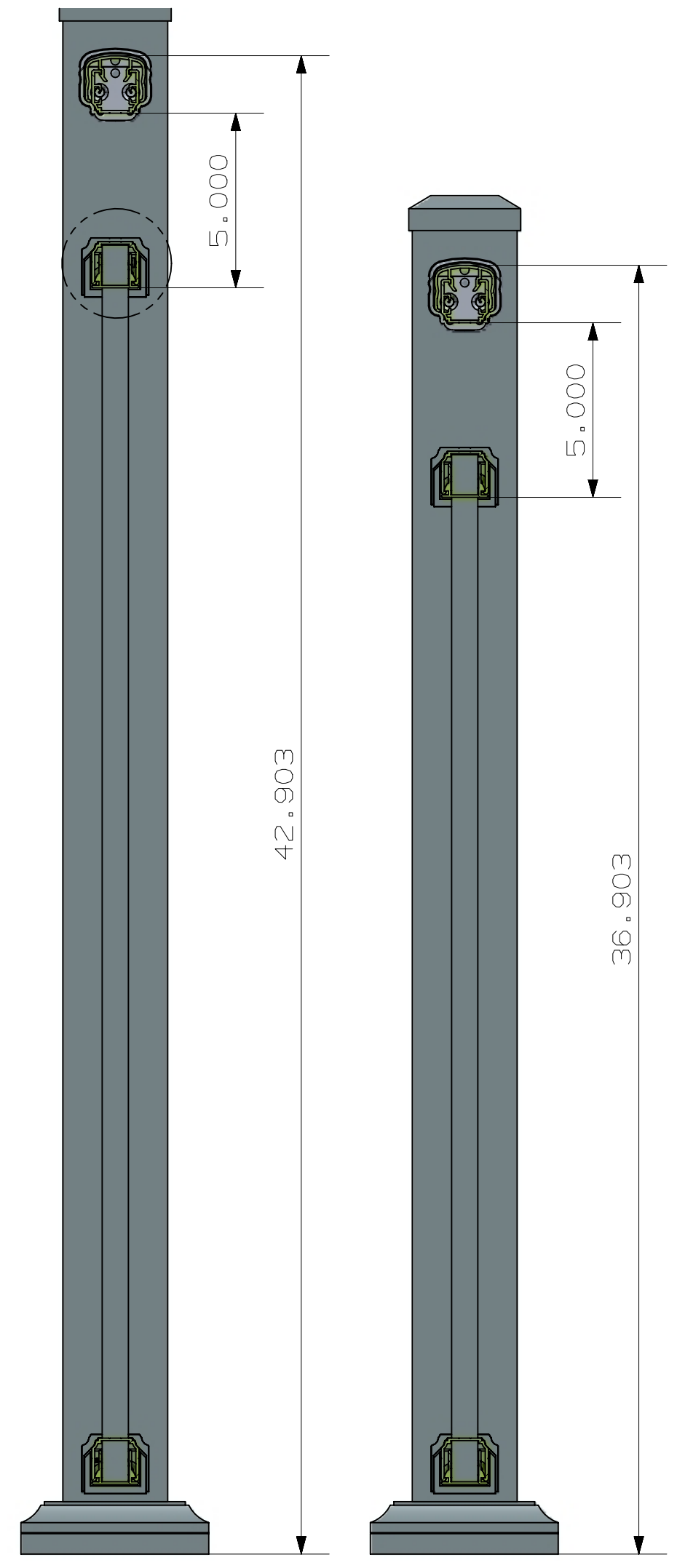
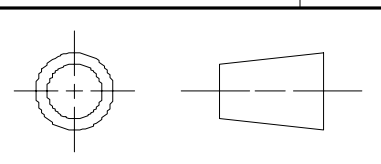


ULTRA ALUMINUM MANUFACTURING, INC.
2124 GRAND COMMERCE DR. HOWELL, MI 48855
PHONE (800) 656-4420

FIRST ISSUED	
DRAWN BY	
CHECKED BY	
APPROVED BY	

TITLE: SIGNATURE RAILING ADAMS TOP RAIL JARX-A270XX-XXXX-3RLS PANEL AND HARDWARE REV 1 1/4/2018	
SIZE: C	DRG NO.: JARX-A270XX-XXXX-3RLS
SCALE: 1:1	REV: <input checked="" type="checkbox"/>
SHEET 1 OF 2	





PANEL SIZE	RAIL LENGTH	SHORT PICKET HEIGHT	NUMBER OF SHORT PICKETS
36" X 4"	47 11/16"	29 7/16"	10
36" X 6"	70.00"	29 7/16"	15
36" X 8"	96 3/4"	29 7/16"	21
42" X 4"	47 11/16"	35 7/16"	10
42" X 6"	70"	35 7/16"	15
42" X 8"	96 3/4"	35 7/16"	21

3D CAD MASTER PART NAME:

		ULTRA ALUMINUM MANUFACTURING, INC. 2124 GRAND COMMERCE DR. HOWELL, MI 48855 PHONE (800) 656-4420	
FIRST ISSUED		TITLE SIGNATURE RAILING	
DRAWN BY		ADAMS TOP RAIL	
CHECKED BY		UARX-A270XX-XXXX-3RLS	
APPROVED BY		PANEL AND HARDWARE	
		REV 1 1/4/2018	
		SIZE DRG NO.	REV
		C	UARX-A270XX-XXXX-3RLS
		SCALE 1:1	SHEET 2 OF 2