

3D CAD MASTER PART NAME:



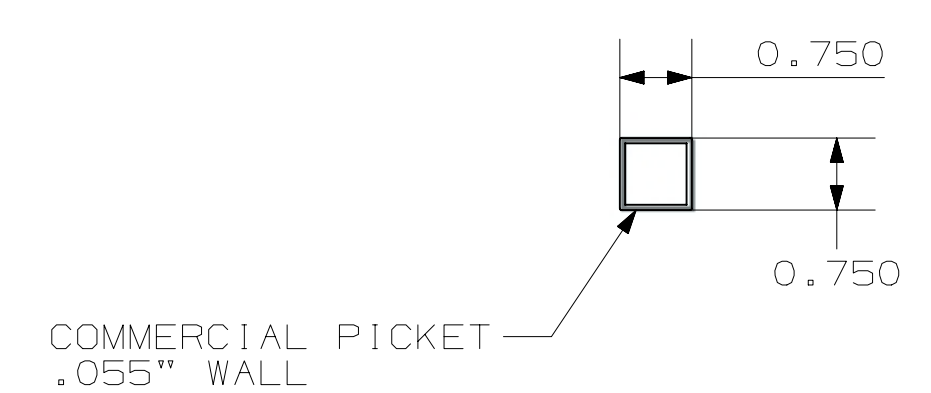
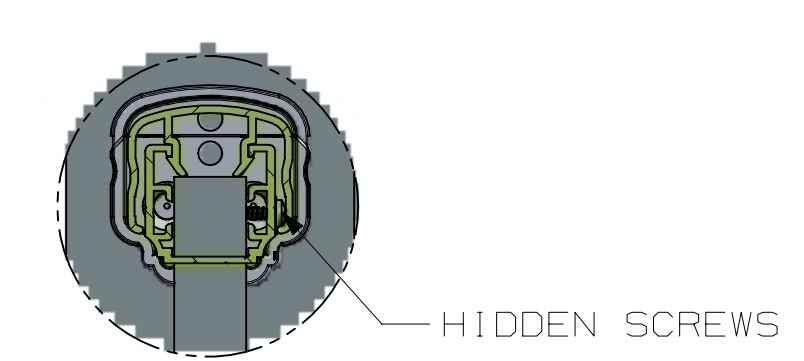
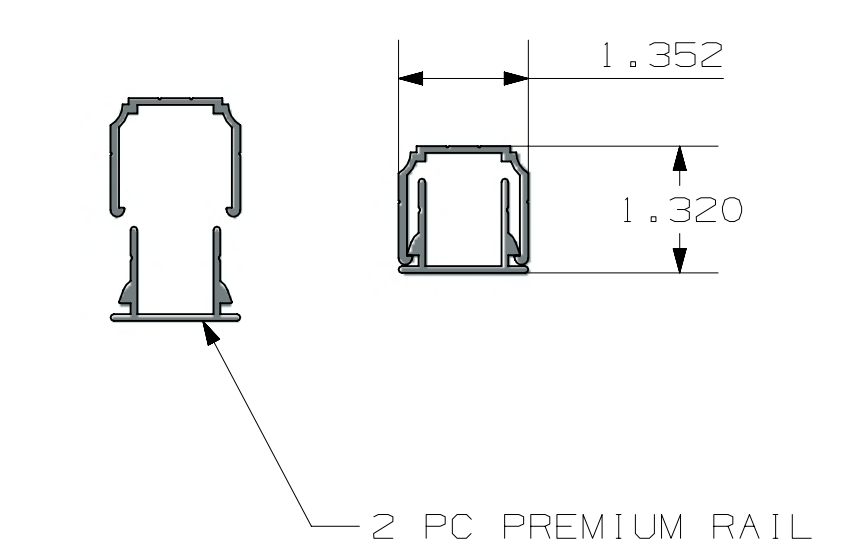
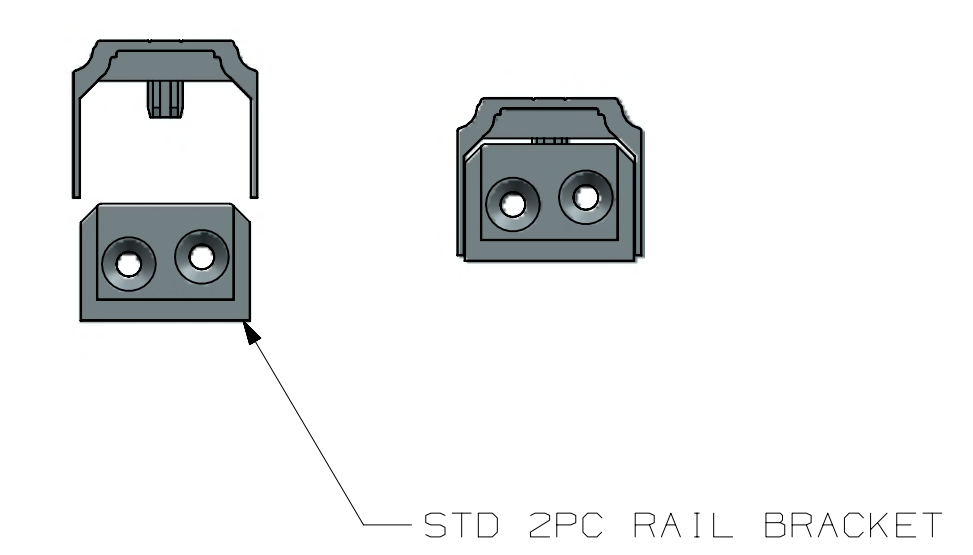
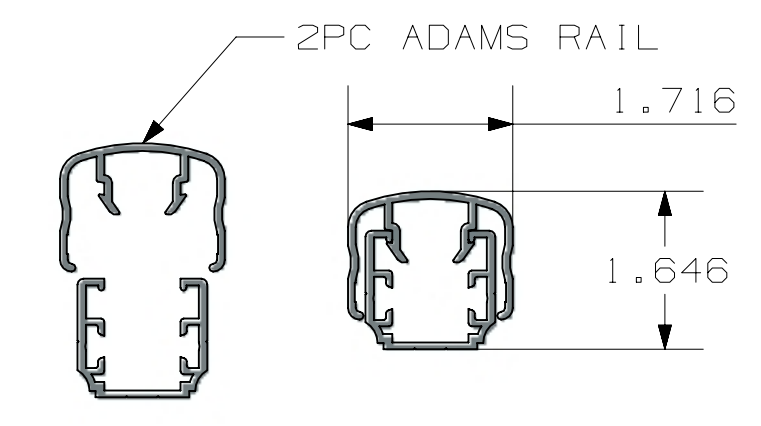
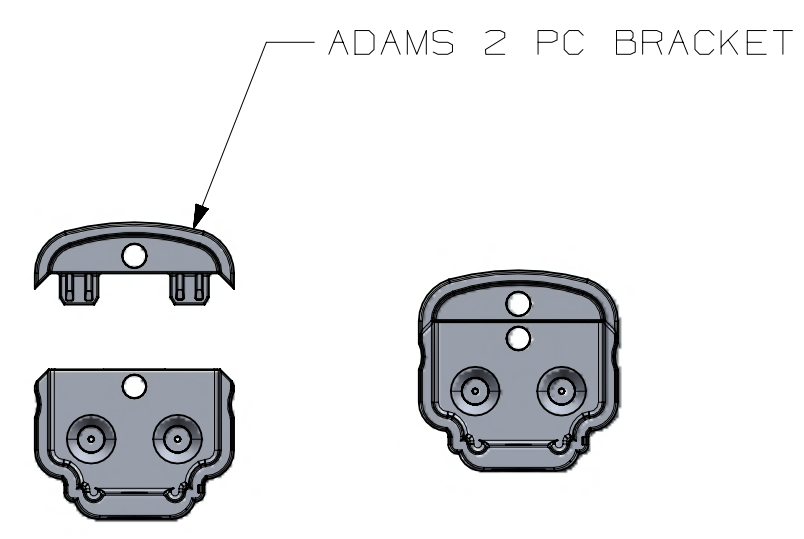
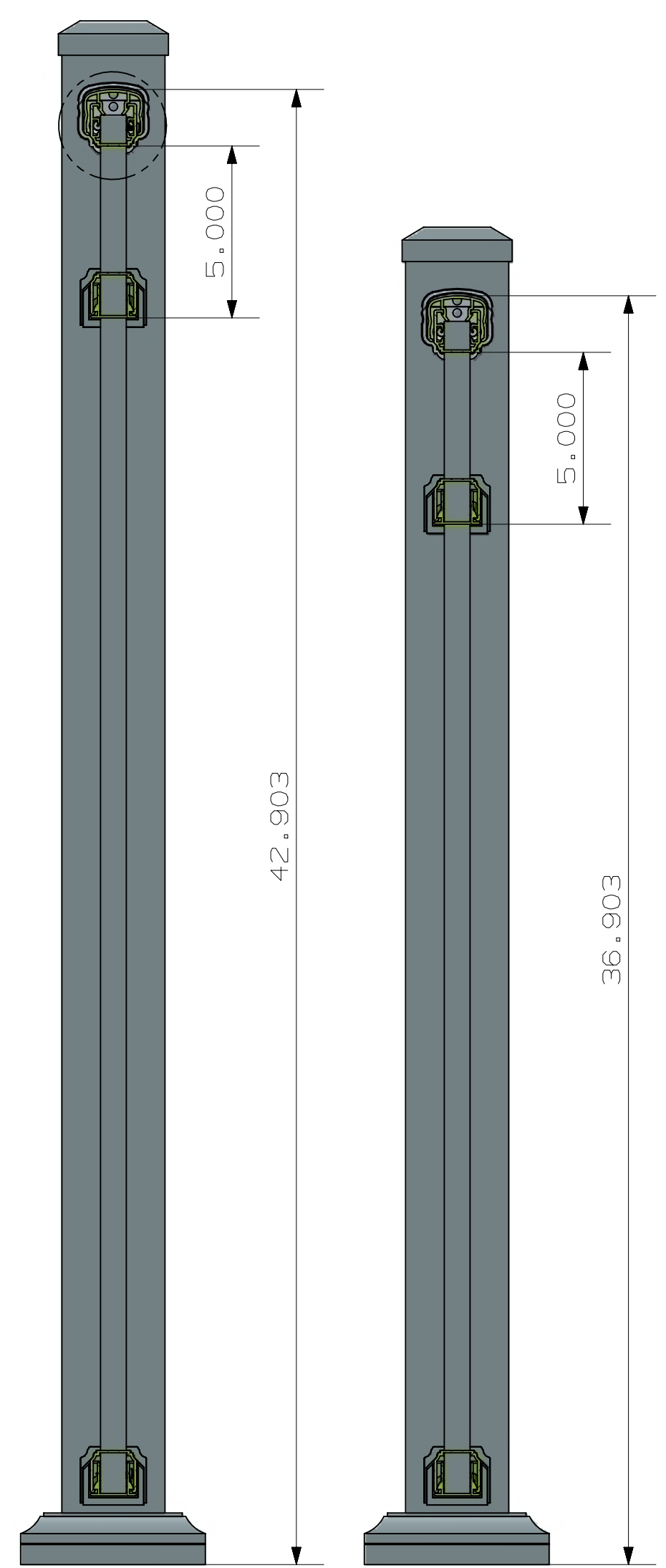
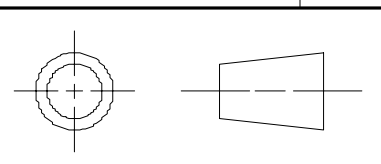
ULTRA ALUMINUM MANUFACTURING, INC.
2124 GRAND COMMERCE DR. HOWELL, MI 48855
PHONE (800) 656-4420

| | |
|--------------|--|
| FIRST ISSUED | |
| DRAWN BY | |
| CHECKED BY | |
| APPROVED BY | |

TITLE SIGNATURE RAILING
ADAMS TOP RAIL
JARX-A220XX-XXXX-3RLS
PANEL AND HARDWARE
REV 1 1/4/2018

| | |
|-------------------------|-------------------------------------|
| SIZE DRG NO. | REV |
| C JARX-A220XX-XXXX-3RLS | <input checked="" type="checkbox"/> |

SCALE 1:1 SHEET 1 OF 2



| PANEL SIZE | RAIL LENGTH | FULL SIZE PICKET HEIGHT | NUMBER OF FULL SIZE PICKETS | SHORT PICKET HEIGHT | NUMBER OF SHORT PICKETS |
|------------|-------------|-------------------------|-----------------------------|---------------------|-------------------------|
| 36" X 4" | 47 11/16" | 34 1/16" | 5 | 29 7/16" | 5 |
| 36" X 6" | 70.00" | 34 1/16" | 7 | 29 7/16" | 8 |
| 36" X 8" | 96 3/4" | 34 1/16" | 10 | 29 7/16" | 11 |
| 42" X 4" | 47 11/16" | 40 1/16" | 5 | 35 7/16" | 5 |
| 42" X 6" | 70" | 40 1/16" | 7 | 35 7/16" | 8 |
| 42" X 8" | 96 3/4" | 40 1/16" | 10 | 35 7/16" | 11 |

3D CAD MASTER PART NAME:

| | | | |
|--------------|--|--|-----------------------------|
| | | ULTRA ALUMINUM MANUFACTURING, INC. 2124 GRAND COMMERCE DR. HOWELL, MI 48855 PHONE (800) 656-4420 | |
| FIRST ISSUED | | TITLE SIGNATURE RAILING | |
| DRAWN BY | | ADAMS TOP RAIL | |
| CHECKED BY | | UARX - A220XX - XXXX - 3RLS | |
| APPROVED BY | | PANEL AND HARDWARE | |
| | | REV 1 1/4/2018 | |
| | | SIZE DRG NO. | REV |
| | | C | UARX - A220XX - XXXX - 3RLS |
| | | SCALE 1:1 | SHEET 2 OF 2 |