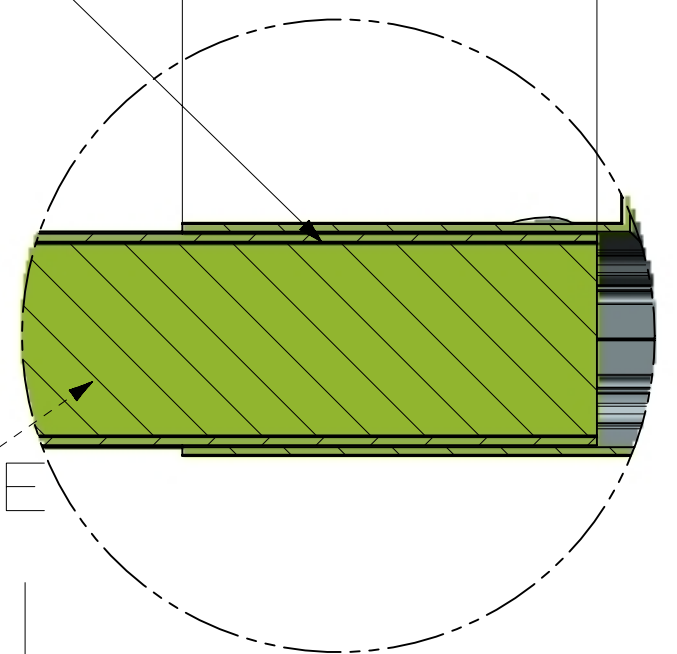


INSERTED INTO
FRANKLIN SLIP COVER
JULIETTE BALCONY KIT

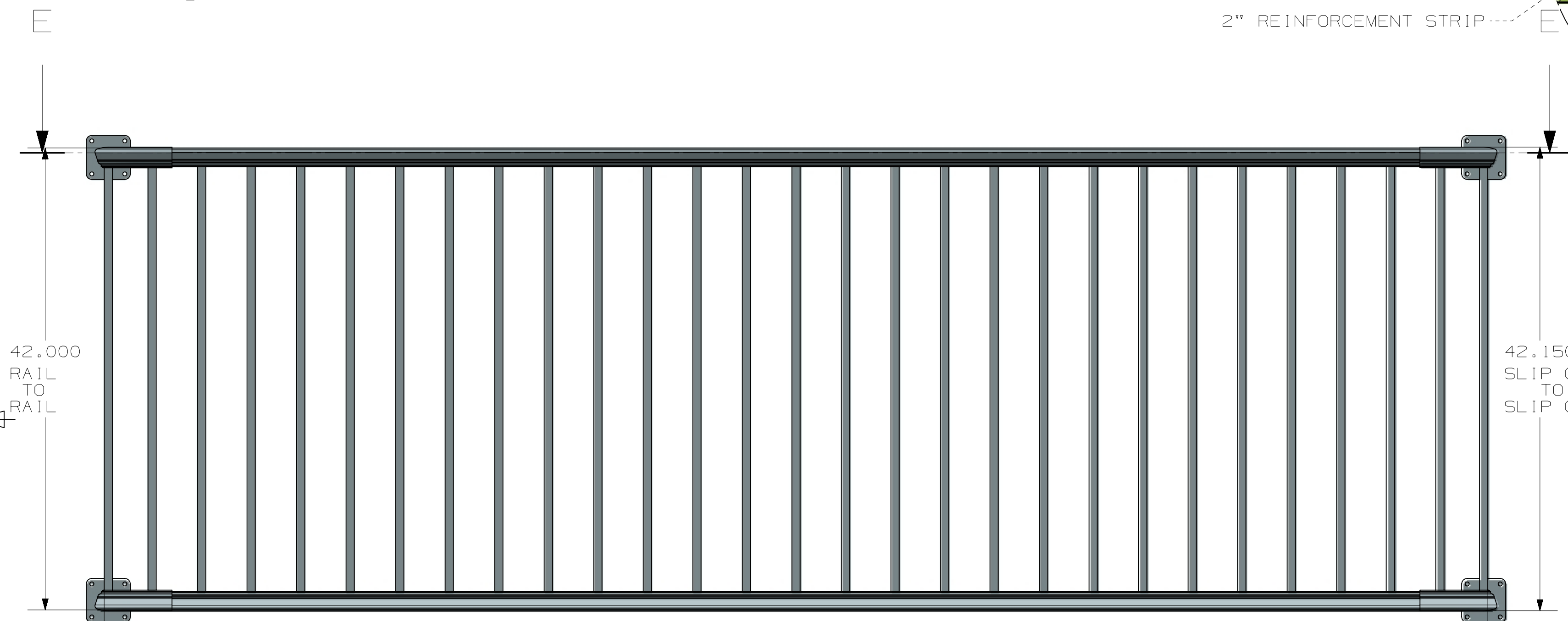
4.318

SECTION E-E

2" REINFORCEMENT STRIP

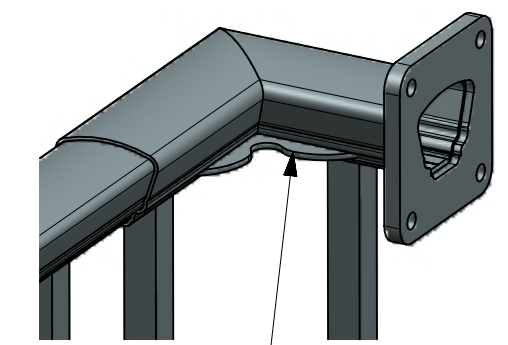


DETAIL G
SCALE 1:2

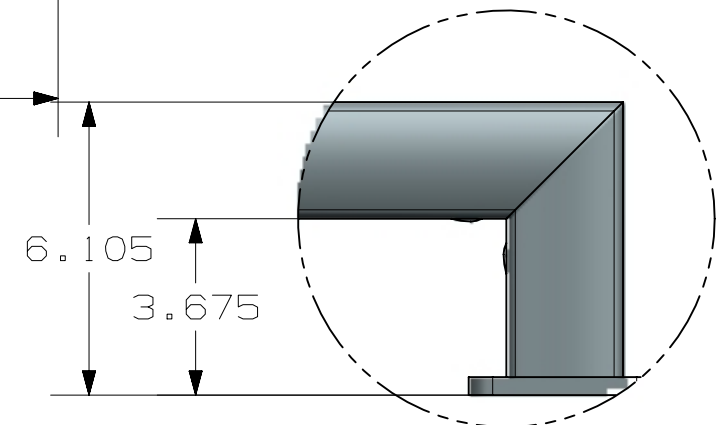


125.704
OUTSIDE OF PICKET TO
OUTSIDE OF PICKET

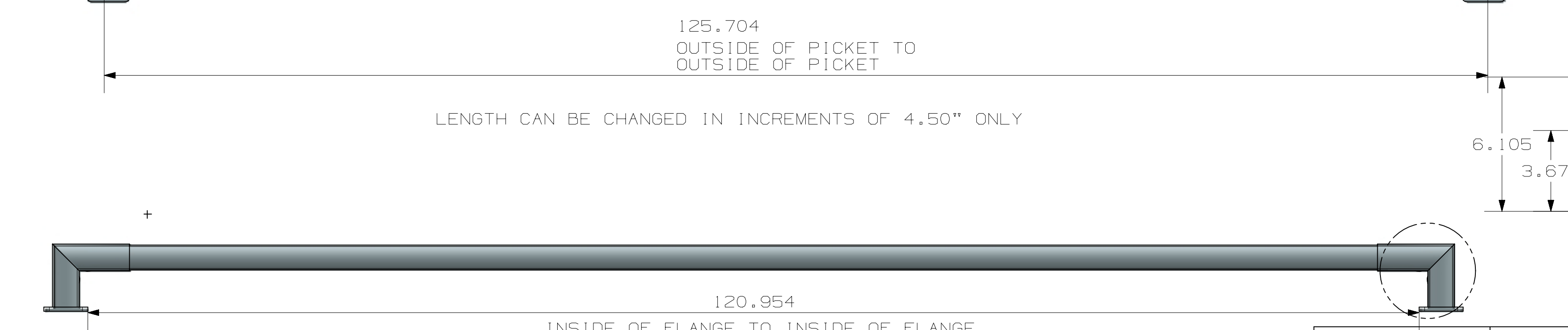
LENGTH CAN BE CHANGED IN INCREMENTS OF 4.50" ONLY



CORNER
REINFORCEMENT



DETAIL H
SCALE 1:4



120.954
INSIDE OF FLANGE TO INSIDE OF FLANGE

LENGTH CAN BE CHANGED IN INCREMENTS OF 4.50" ONLY



ULTRA ALUMINUM MANUFACTURING, INC.
2124 GRAND COMMERCE DR. HOWELL, MI 48855
PHONE (800) 656-4420

FIRST ISSUED	
DRAWN BY	
CHECKED BY	
APPROVED BY	

TITLE
FRANKLIN JULIETTE 10' NOMINAL

SIZE	DRG NO.	REV
C	FRANKLIN SLIP COVER 10' JULIETTE BALCONY 42' KIT	1

3D CAD MASTER PART NAME:

ALL DIMENSIONS IN INCHES

SCALE 1:1

SHEET 3 OF 5