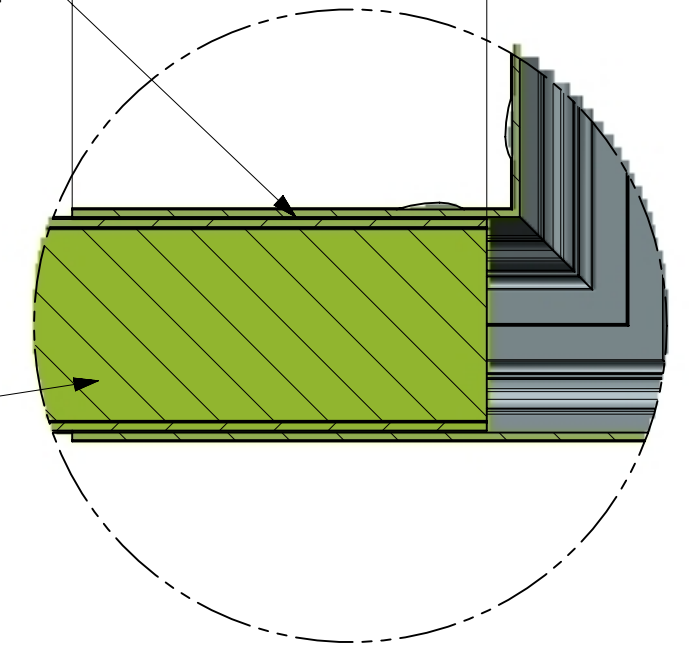


INSERTED INTO  
FRANKLIN SLIP COVER  
JULIETTE BALCONY KIT

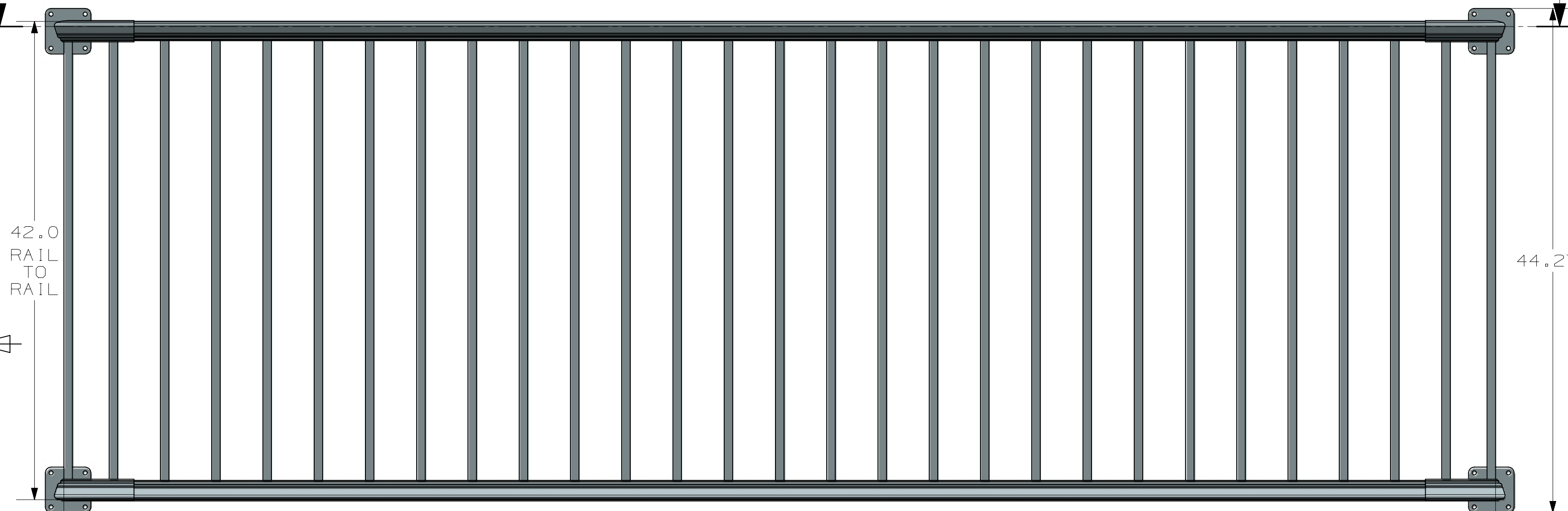
4.318

SECTION E-E

2" REINFORCEMENT STRIP

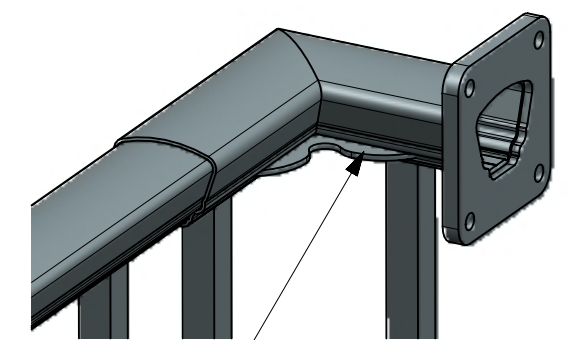


DETAIL G  
SCALE 1:2

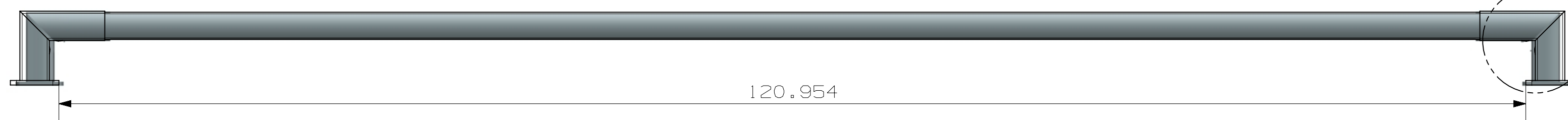


125.704  
OUTSIDE OF PICKET TO  
OUTSIDE OF PICKET

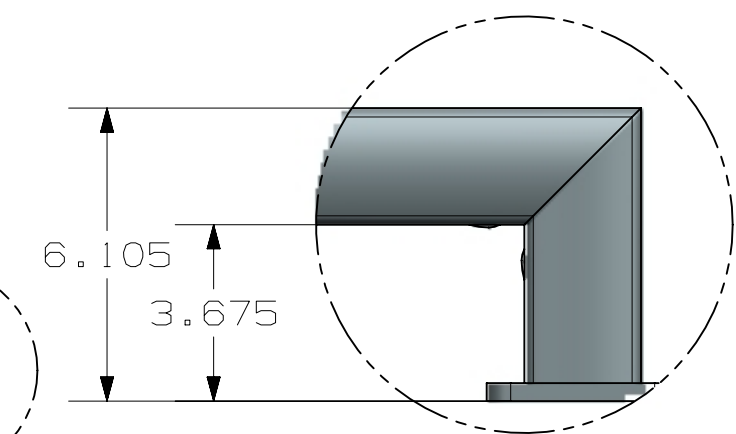
LENGTH CAN BE CHANGED IN INCREMENTS OF 4.50" ONLY



CORNER  
REINFORCEMENT



INSIDE OF FLANGE TO INSIDE OF FLANGE



DETAIL H  
SCALE 1:4

SIZE	INSIDE OF FLANGE TO INSIDE OF FLANGE	OUTSIDE FLANGE TO OUTSIDE FLANGE	NUMBER OF PICKETS
8 FT OPENING	98.45	106.45	24
8 + 1	102.95	110.9	25
8 + 2	107.45	115.45	26
9 FT OPENING	111.95	119.95	27
9 + 1	116.45	124.45	28
10 FT OPENING	120.95	128.95	29



ULTRA ALUMINUM MANUFACTURING, INC.  
2124 GRAND COMMERCE DR. HOWELL, MI 48855  
PHONE (800) 656-4420

FIRST ISSUED  
DRAWN BY  
CHECKED BY  
APPROVED BY

TITLE FRANKLIN JULIET  
10' OPENING  
42" TALL  
REV 2 09-18-2017

SIZE DRG NO. C  
FRANKLIN JULIET 10' OPENING W SPAN CHART

SCALE 1:1 SHEET 3 OF 5

3D CAD MASTER PART NAME:

ALL DIMENSIONS IN INCHES