

3D CAD MASTER PART NAME:



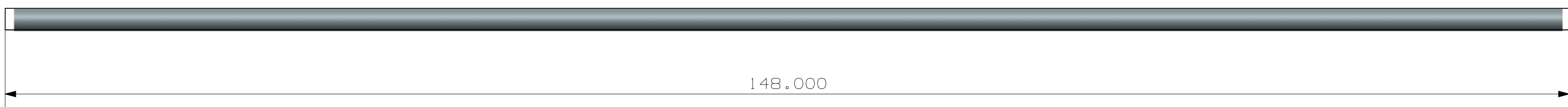
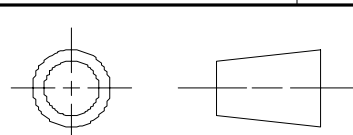
ULTRA ALUMINUM MANUFACTURING, INC.
2124 GRAND COMMERCE DR. HOWELL, MI 48855
PHONE (800) 656-4420

FIRST ISSUED
DRAWN BY
CHECKED BY
APPROVED BY

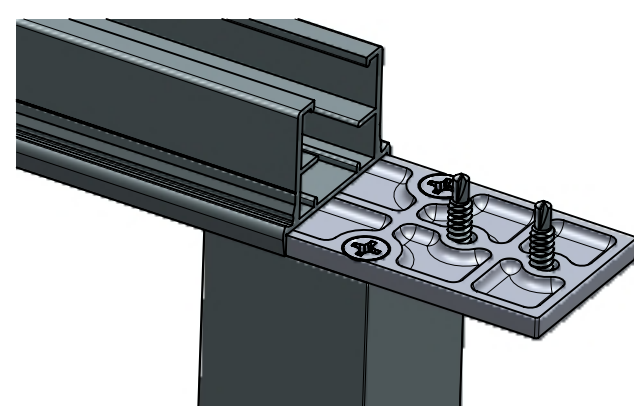
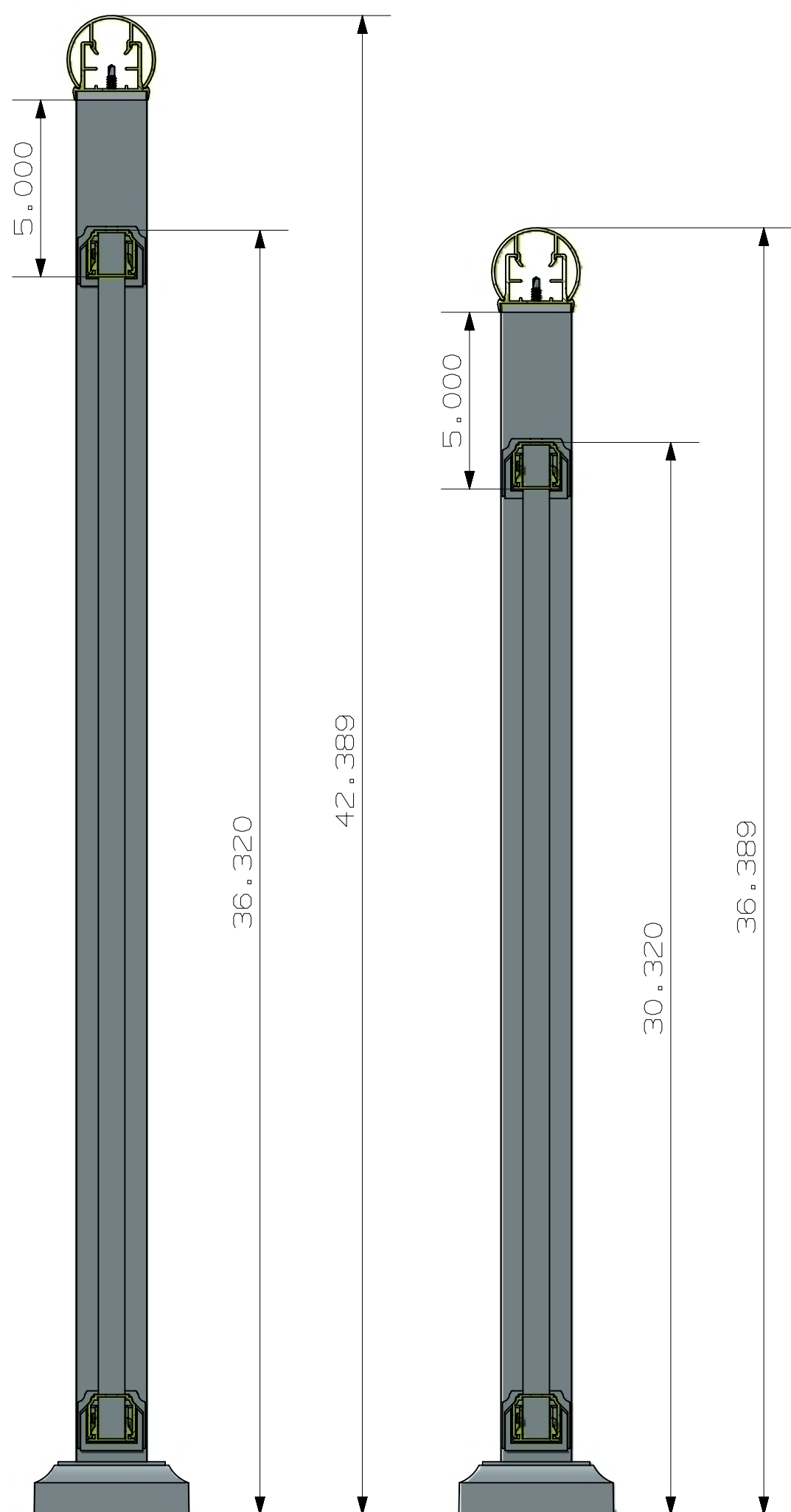
TITLE CONTINUOUS RAILING
MADISON TOP CAP
UARC-M270XX-XXXX-3RLS
REV 1 5-2-2018

SIZE DRG NO. C UARC-M270XX-XXXX-3RLS REV

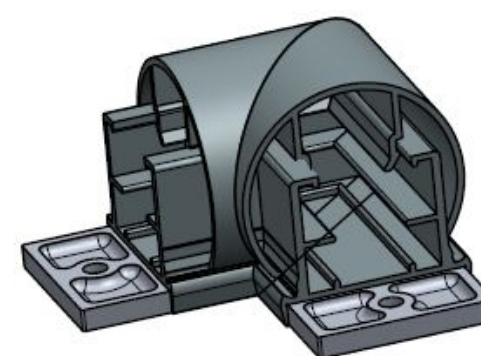
SCALE 1:1 SHEET 1 OF 2



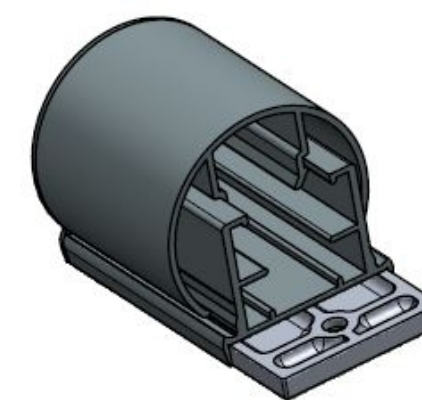
TOP CAP SOLD SEPARATELY
SOLD IN 12' 4" AND 24' 8" LENGTHS



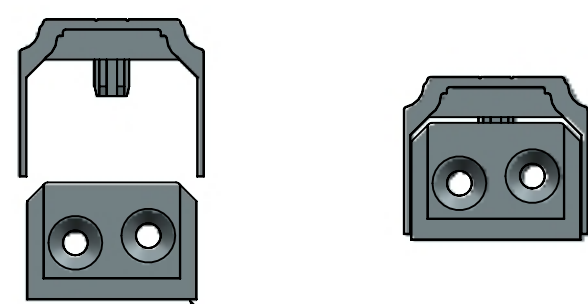
CONTINUOUS LINE PLATE



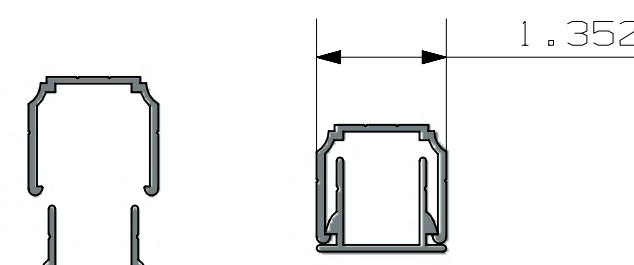
CONTINUOUS 90° PLATE
CONTINUOUS 90° CAP



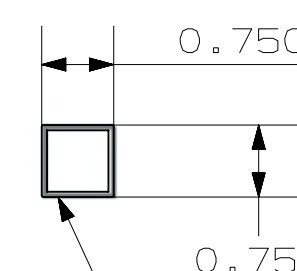
CONTINUOUS END PLATE
CONTINUOUS ENDCAP



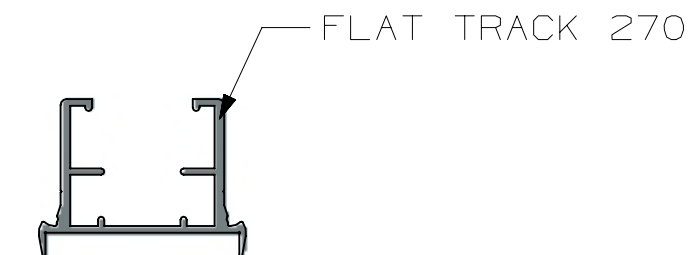
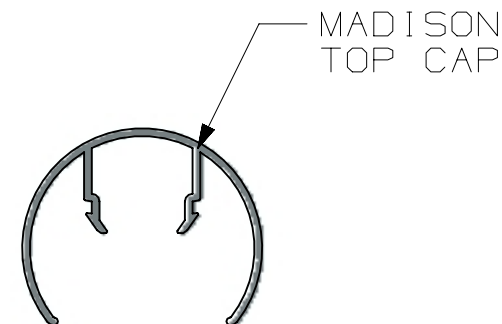
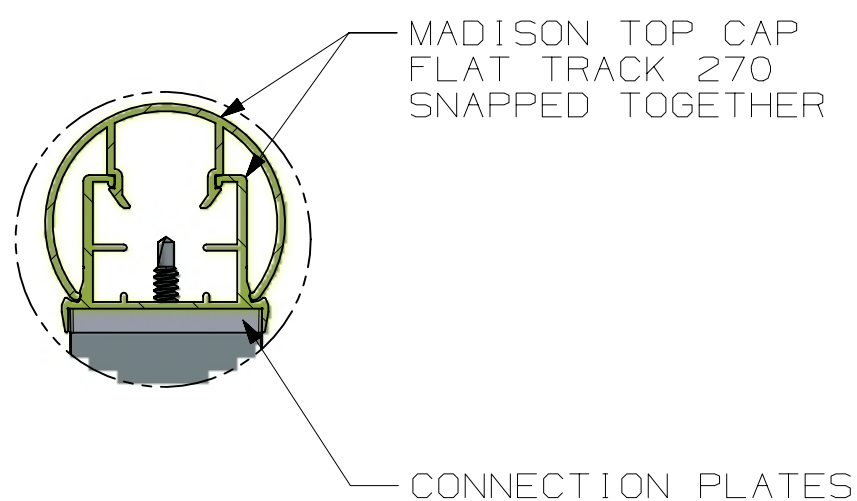
STD 2PC RAIL BRACKET



2 PC BOTTOM/MID RAIL



COMMERCIAL PICKET
.055" WALL



PANEL SIZE	TOP RAIL LENGTH	BOTTOM RAIL LENGTH	PICKET LENGTH	NUMBER OF PICKETS
36" X 4'	50 3/16"	47 11/16"	27 13/16"	10
36" X 5'	63 9/16"	61 1/16"	27 13/16"	13
36" X 6'	72 1/2"	70"	27 13/16"	15
42" X 4'	50 3/16"	47 11/16"	33 13/16"	10
42" X 5'	63 9/16"	61 1/16"	33 13/16"	13
42" X 6'	72 1/2"	70"	33 13/16"	15



ULTRA ALUMINUM MANUFACTURING, INC.
2124 GRAND COMMERCE DR. HOWELL, MI 48855
PHONE (800) 656-4420

FIRST ISSUED
DRAWN BY
CHECKED BY
APPROVED BY

TITLE CONTINUOUS RAILING
MADISON TOP CAP
UARC-M270XX-XXXX-3RLS
REV 1 5-2-2018

SIZE DRG NO. C UARC-M270XX-XXXX-3RLS

SCALE 1:1

SHEET 2 OF 2