

3D CAD MASTER PART NAME:

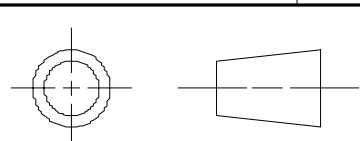


ULTRA ALUMINUM MANUFACTURING, INC.
2124 GRAND COMMERCE DR. HOWELL, MI 48855
PHONE (800) 656-4420

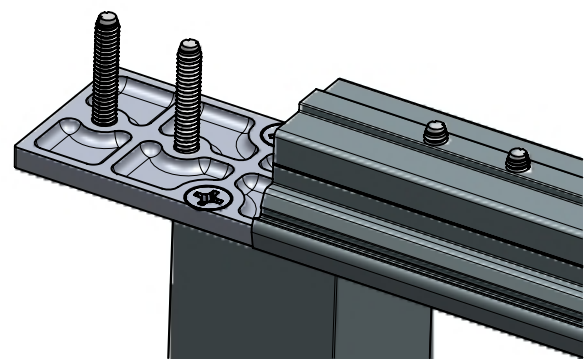
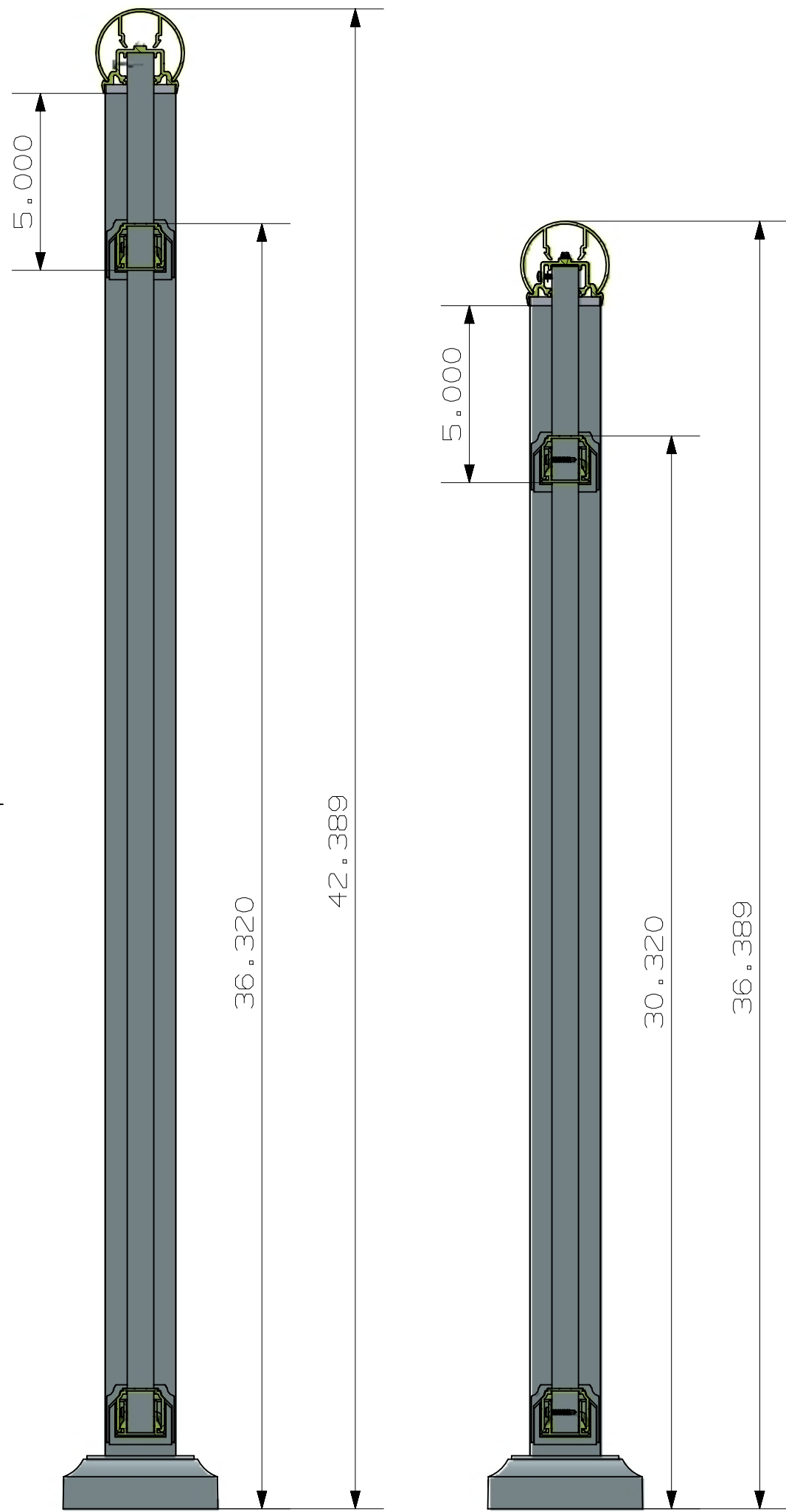
FIRST ISSUED	
DRAWN BY	
CHECKED BY	
APPROVED BY	

TITLE CONTINUOUS RAILING
MADISON TOP CAP
UARC-M220XX-XXXX-3RLS
REV 1 5-2-2018

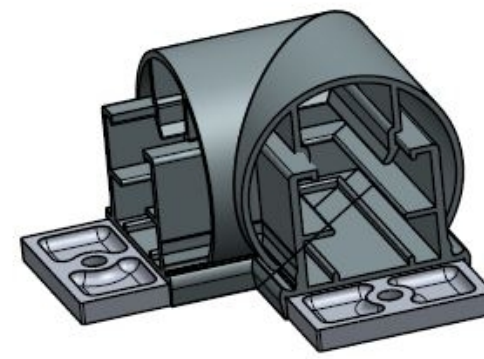
SIZE	DRG NO.	REV
C	UARC-M220XX-XXXX-3RLS	<input checked="" type="checkbox"/>
SCALE 1:1		SHEET 1 OF 2



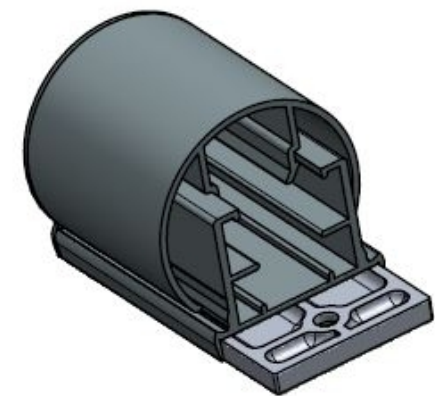
TOP CAP SOLD SEPARATELY
SOLD IN 12' 4" AND 24' 8" LENGTHS



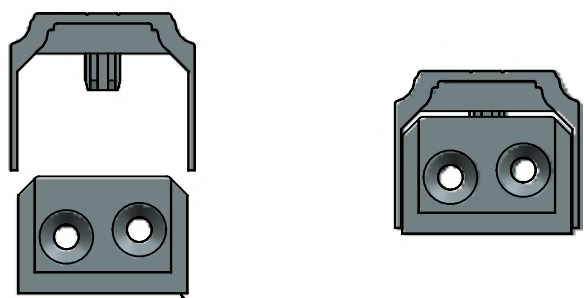
CONTINUOUS LINE PLATE



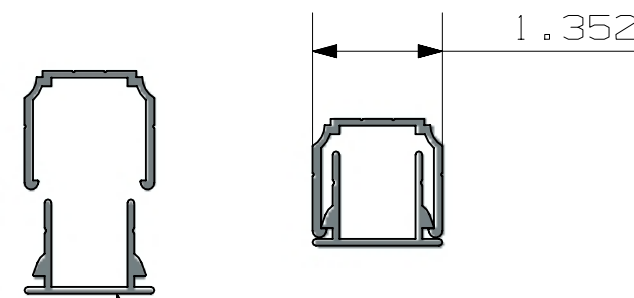
CONTINUOUS 90° PLATE
CONTINUOUS 90° CAP



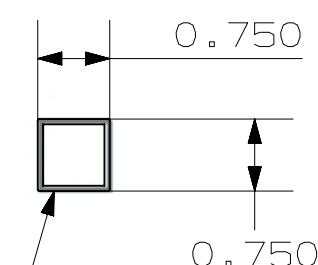
CONTINUOUS END PLATE
CONTINUOUS ENDCAP



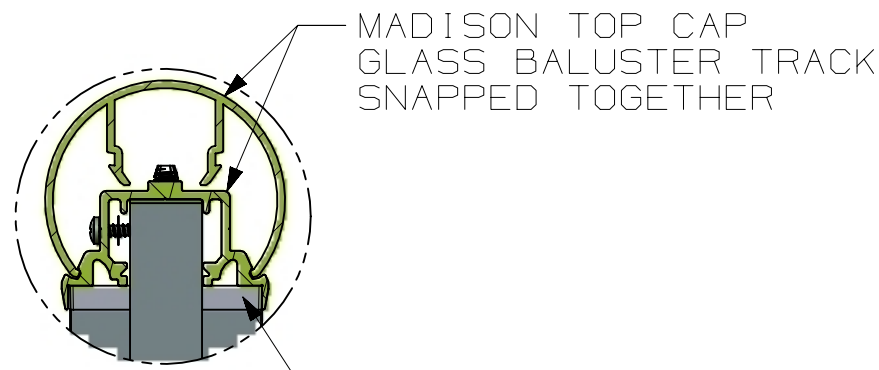
STD 2PC RAIL BRACKET



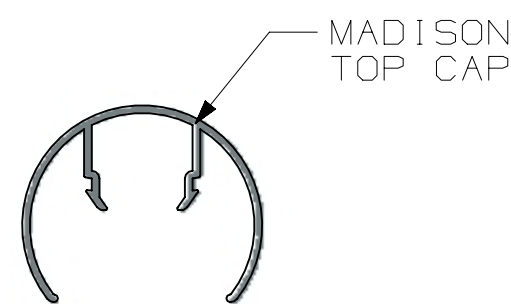
2 PC BOTTOM/MID RAIL



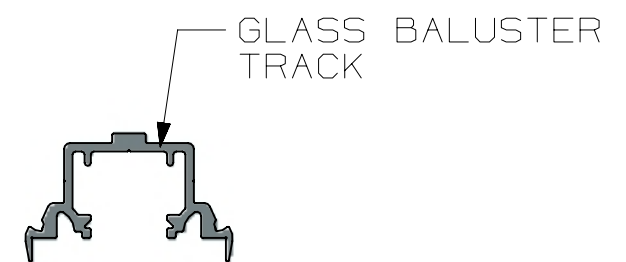
COMMERCIAL PICKET
.055" WALL



MADISON TOP CAP
GLASS BALUSTER TRACK
SNAPPED TOGETHER



MADISON
TOP CAP



GLASS BALUSTER
TRACK



CONNECTION PLATES

PANEL SIZE	TOP RAIL LENGTH	BOTTOM RAIL LENGTH	FULL SIZE PICKET LENGTH	NUMBER OF FULL SIZE PICKETS	SHORT PICKET LENGTH	NUMBER OF SHORT PICKETS
36" X 4'	50 3/16"	47 11/16"	33"	5	27 13/16"	5
36" X 5'	63 9/16"	61 1/16"	33"	6	27 13/16"	7
36" X 6'	72 1/2"	70"	33"	7	27 13/16"	8
42" X 4'	50 3/16"	47 11/16"	39"	5	33 13/16"	5
42" X 5'	63 9/16"	61 1/16"	39"	6	33 13/16"	7
42" X 6'	72 1/2"	70"	39"	7	33 13/16"	8



ULTRA ALUMINUM MANUFACTURING, INC.
2124 GRAND COMMERCE DR. HOWELL, MI 48855
PHONE (800) 656-4420

FIRST ISSUED
DRAWN BY
CHECKED BY
APPROVED BY

TITLE CONTINUOUS RAILING
MADISON TOP CAP
UARC-M220XX-XXXX-3RLS
REV1 5-2-2018

SCALE 1:1

SIZE/DRG NO. C UARC-M220XX-XXXX-3RLS REV
SHEET 2 OF 2